



CONSOLIDATED SEWING MACHINE CORP.

└ INDUSTRIAL SEWING & CUTTING EQUIPMENT

Models

CN-2033R

CN-2043R

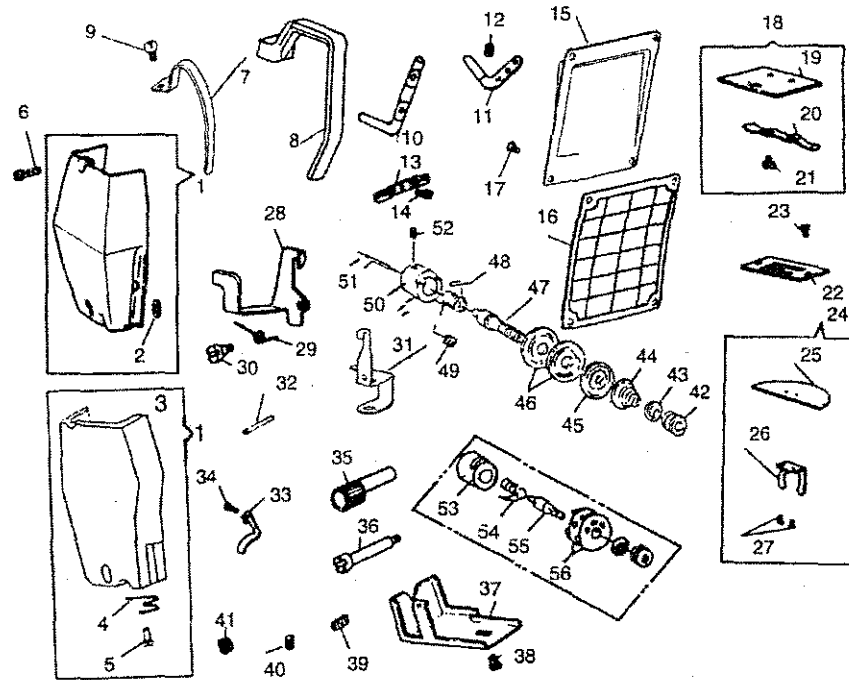
CN-2053R

Parts Book

CONTENTS

| | |
|---|-----------|
| HOUSING COMPONENTS..... | 1 |
| BOBBIN WINDER, UPPER COVER COMPONENTS..... | 3 |
| EMBROIDERY STITCH COMPONENTS..... | 4 |
| THREAD-HOOK COMPONENTS..... | 5 |
| THREAD-HOOK COMPONENTS..... | 6 |
| MATERIAL FEEDING COMPONENTS..... | 7 |
| DIFFERENTIAL, LUBRICATIONCOMPONENTS..... | 8 |
| COMPONENTS OF SWAYING NEEDLE..... | 9 |
| COMPONENTS OF SWAYING NEEDLE..... | 10 |
| PRESSER FOOT COMPONENTS..... | 11 |
| COMPONENTS OF NEEDLE DISTANCE, REVERSE STITCH..... | 12 |
| ACCESSORIES..... | 13 |
| BELT COVER, THREAD STAND, BOBBIN WINDER, KNEE LIFTER ASSEMBLY..... | 14 |
| OPTIONAL PARTS..... | 15 |

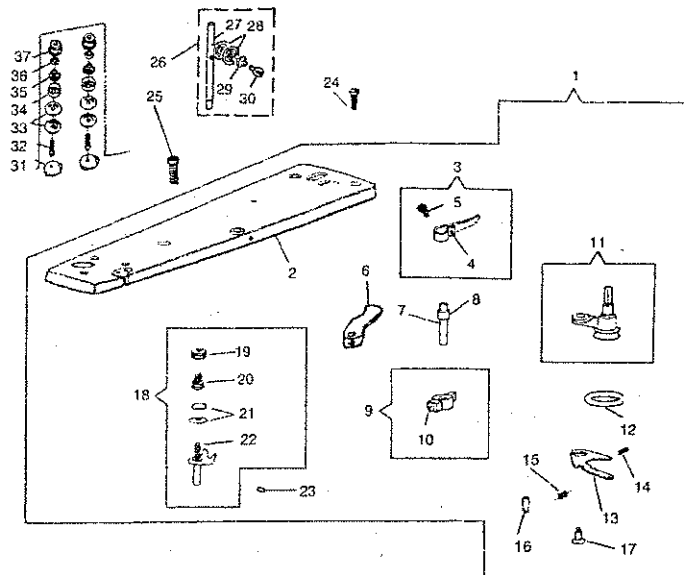
COMPONENTS OF HOUSING



| No. | Part No. | | | | | | | | | | | Description | |
|-----|-----------|---|---|---|---|---|---|---|---|---|---|-------------|---------------------------------|
| 1 | GR245/3-8 | * | * | - | - | - | - | - | - | - | - | 1 | Panel components |
| | GR406/3-8 | - | - | * | * | - | - | - | * | * | * | 1 | Panel components |
| 2 | GR232-8 | * | * | * | * | - | - | - | * | * | * | 1 | Panel thread hook |
| 3 | GK158-8 | - | - | - | - | * | * | * | - | - | - | 1 | Panel |
| 4 | GW242-8 | - | - | - | - | * | * | * | - | - | - | 1 | Panel thread hook |
| 5 | GZ374-8 | - | - | - | - | * | * | * | - | - | - | 1 | Panel thread hook needle |
| 6 | GS132-8 | * | * | * | * | - | - | - | * | * | * | 2 | Panel screw |
| | GS375-8 | - | - | - | - | * | * | * | - | - | - | 2 | Panel screw |
| 7 | GK134-8 | * | - | - | - | - | - | - | - | - | - | 1 | Stitch-staff shield |
| | GK146-8 | - | - | * | * | - | - | - | * | * | * | 1 | Stitch-staff shield |
| | GK140-8 | - | * | - | - | - | - | - | - | - | * | 1 | Stitch-staff shield |
| 8 | GK161-8 | - | - | - | - | * | * | * | - | - | - | 1 | Stitch-staff shield |
| 9 | GS223-8 | * | * | * | * | - | - | - | * | * | * | 1 | Stitch-staff shield screw |
| | GS379-8 | - | - | - | - | * | * | * | - | - | - | 1 | Stitch-staff shield screw |
| 10 | GR412-8 | - | - | - | - | * | * | * | - | - | - | 1 | Double hole thread-running rack |
| 11 | GR233-8 | * | - | * | * | * | * | * | * | * | - | 1 | 3-eyelet hole thread hook |
| | GR364-8 | - | * | * | * | - | - | - | - | - | - | 1 | 2-eyelet hole thread hook |
| 12 | GS139-8 | * | * | * | * | * | * | * | * | * | * | 1 | 3-eyelet hole thread hook screw |
| 13 | GR231-8 | * | * | * | * | * | * | * | * | * | * | 1 | Thread-running rack |
| 14 | GS223-8 | * | * | * | * | * | * | * | * | * | * | 1 | Thread-running rack screw |
| 15 | GK133-8 | * | * | - | - | - | - | - | - | - | - | 1 | Back cover |
| | GK145-8 | - | - | * | * | - | - | - | * | * | * | 1 | Back cover |
| 16 | GK160-8 | - | - | - | - | * | * | * | - | - | - | 1 | Back cover |
| 17 | GS132-8 | * | * | * | * | * | * | * | * | * | * | 4 | Back cover screw |
| 18 | GR476/4-8 | * | * | * | * | * | * | * | * | * | * | 1 | Pushing plate components |
| 19 | GM132-8 | * | * | * | * | * | * | * | * | * | * | 1 | Pushing plate |
| 20 | GW131-8 | * | * | * | * | * | * | * | * | * | * | 1 | Pushing plate spring |
| 21 | GS133-8 | * | * | * | * | * | * | * | * | * | * | 2 | Pushing plate spring screw |
| 22 | GM131-8 | * | * | - | * | - | - | - | * | - | - | 1 | Needle plate |
| | GM156-8 | - | - | * | - | * | - | - | * | * | * | 1 | Needle plate |
| | GM205-8 | - | - | - | - | * | - | - | - | - | - | 1 | Needle plate |
| 23 | GS338-8 | * | * | * | * | * | * | * | * | * | * | 2 | Needle plate screw |
| 24 | GR477/4-8 | * | * | * | * | * | * | * | * | * | * | 1 | Inner cover plate components |
| 25 | GM130-8 | * | * | * | * | * | * | * | * | * | * | 1 | Inner cover plate |
| 26 | GW130-8 | * | * | * | * | * | * | * | * | * | * | 1 | Inner cover plate spring |
| 27 | GS255-8 | * | * | * | * | * | * | * | * | * | * | 2 | Inner cover plate screw |
| 28 | GR241-8 | * | * | - | - | - | - | - | - | - | - | 1 | Thread-releasing lever |
| | GR373-8 | - | - | * | * | * | * | * | * | * | * | 1 | Thread-releasing lever |
| 29 | GW135-8 | * | * | * | * | * | * | * | * | * | * | 1 | Thread-releasing lever spring |
| 30 | GS148-8 | * | * | * | * | * | * | * | * | * | * | 1 | Thread-releasing lever screw |
| 31 | GR397-8 | - | - | * | * | * | * | * | * | * | * | 1 | Locating base of presser |
| 32 | GX180-8 | - | - | * | * | * | * | * | * | * | * | 1 | Lower thread-running hook |
| 33 | GR230-8 | * | * | - | - | - | - | - | - | - | - | 1 | Lower thread-running hook |
| 34 | GS137-8 | * | * | - | - | - | - | - | - | - | - | 1 | Lower thread-running screw |
| 35 | GT150-8 | * | * | * | * | * | * | * | * | * | * | 1 | Linear lock eccentric shield |

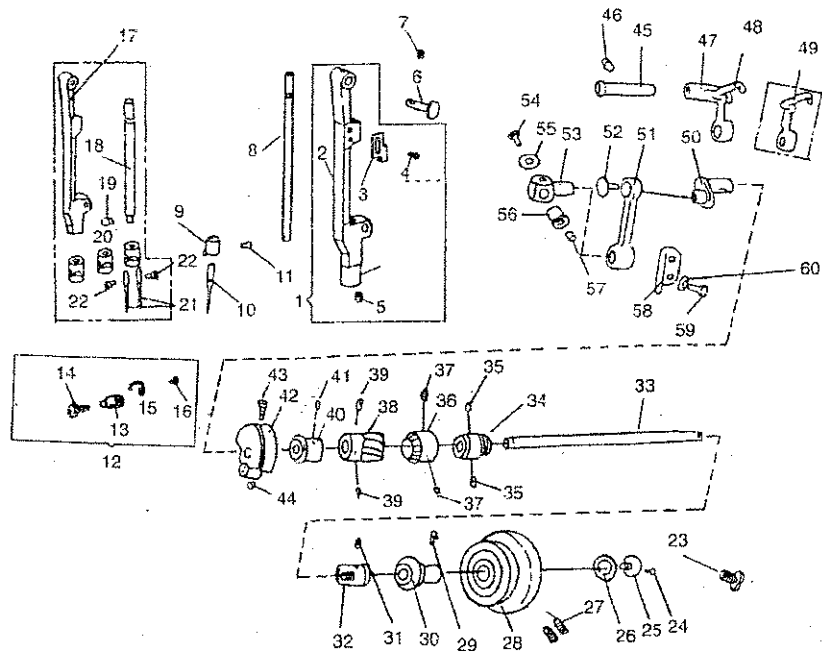
| No. Part No. | | | | | | | | | | | | | Description | | |
|--------------|-----------|---|---|---|---|---|---|---|---|---|---|---|-------------|---|------------------------------------|
| 36 | GS264-8 | * | * | * | * | * | * | * | * | * | * | * | * | 1 | Linear lock eccentric shield screw |
| 37 | GK130-8 | * | * | * | * | * | * | * | * | * | * | * | * | 1 | Rotating shuttle shield |
| 38 | GS132-8 | * | * | * | * | * | * | * | * | * | * | * | * | 1 | Rotating shuttle shield screw |
| 39 | GX191-8 | * | * | * | * | * | * | * | * | * | * | * | * | 1 | Eccentric shield stress ploe |
| 40 | GW179-8 | * | * | * | * | * | * | * | * | * | * | * | * | 1 | Eccentric shield stress spring |
| 41 | GS288-8 | * | * | * | * | * | * | * | * | * | * | * | * | 1 | Stress spring screw |
| 42 | GL130-8 | * | * | * | * | - | - | - | * | * | * | * | * | 1 | Tthead-holding nut |
| | GL176-8 | - | - | - | - | * | * | * | - | - | - | - | - | 1 | Thread-holding nut |
| 43 | GR239-8 | * | * | * | * | * | * | * | * | * | * | * | * | 1 | Thread-holding brake |
| 44 | GW133-8 | * | - | * | * | - | - | - | * | * | * | - | - | 1 | Thread-holding spring |
| | GW208-8 | - | - | - | - | * | * | * | - | - | - | - | - | 1 | Thread-holding spring |
| 45 | GR238-8 | * | - | * | * | * | * | * | * | * | * | * | * | 1 | Thread-releasing plate |
| 46 | GR237-8 | * | - | * | * | * | * | * | * | * | * | * | - | 2 | Thread-holding plate |
| 47 | GS145-8 | * | - | * | * | * | * | * | * | * | * | * | - | 1 | Thread-holding screw |
| 48 | GW134-8 | * | - | * | * | * | * | * | * | * | * | * | - | 1 | Stitch spring |
| 49 | GS146-8 | * | - | * | * | * | * | * | * | * | * | * | - | 1 | Thread-holding fixing screw |
| 50 | GR372-8 | * | - | * | * | * | * | * | * | * | * | * | - | 1 | Stitch-spring adjusting base |
| 51 | GX132-8 | * | * | * | * | * | * | * | * | * | * | * | - | 1 | Thread-releasing needle |
| 52 | GS147-8 | * | * | * | * | * | * | * | * | * | * | * | * | 1 | Thread-hold fixing screw |
| 53 | GR370-8 | - | * | - | - | - | - | - | - | - | - | * | - | 1 | Stitch spring adjuster |
| 54 | GW170-8 | - | * | - | - | - | - | - | - | - | - | * | - | 1 | Stitch spring |
| 55 | GS261-8 | - | * | - | - | - | - | - | - | - | - | * | - | 1 | Stitch spring screw |
| 56 | GR367/3-8 | - | * | - | - | - | - | - | - | - | - | * | - | 2 | Stitch-guiding part |

BOBBIN WINDER, UPPER COVER COMPONENTS



| No. | Part No. | | | | | | | | | | | Description | |
|-----|------------|---|---|---|---|---|---|---|---|---|---|-------------|---------------------------------------|
| 1 | GR483/27-8 | | | * | * | | | * | * | * | * | 1 | Upper cover components |
| | GR781/28-8 | | | * | * | | | * | * | * | * | 1 | Upper cover components |
| 2 | GK132-8 | * | | | | | | | | | | 1 | Upper cover |
| | GK141-8 | | * | | | | | | | | | 1 | Upper cover |
| | GK148-8 | | | * | * | | | * | * | * | * | 1 | Upper cover |
| | GK159-8 | | | * | * | * | * | * | * | * | * | 1 | Upper cover |
| | GK147-8 | | | | | | | * | * | | | 1 | Upper cover |
| 3 | GR480/2-8 | | | * | * | | | * | * | * | * | 1 | Volume adjusting plate components |
| 4 | GR377-8 | | | * | * | | | * | * | * | * | 1 | Volume adjusting plate |
| 5 | GS273-8 | | | * | * | | | * | * | * | * | 1 | Volume adjusting plate screw |
| 6 | GR726-8 | | | * | * | * | * | * | * | * | * | 1 | Volume adjusting plate |
| 7 | GZ202-8 | | | * | * | * | * | * | * | * | * | 1 | Volume adjusting spindle |
| | GZ246-8 | | | * | * | * | * | * | * | * | * | 1 | Volume adjusting spindle |
| 8 | GO218-8 | | | * | * | * | * | * | * | * | * | 1 | Washer |
| 9 | GR481/2-8 | | | * | * | * | * | * | * | * | * | 1 | Locating block |
| 10 | GS222-8 | | | * | * | * | * | * | * | * | * | 1 | Locating block set screw |
| 11 | GR405/8-8 | | | * | * | * | * | * | * | * | * | 1 | Axis components |
| | GR780/9-8 | | | * | * | * | * | * | * | * | * | 1 | Axis components |
| 12 | GO207-8 | | | * | * | * | * | * | * | * | * | 1 | Rubber circle |
| | GO284-8 | | | * | * | * | * | * | * | * | * | 1 | Rubber circle |
| 13 | GR375-8 | | | * | * | * | * | * | * | * | * | 1 | Thread-winding swaying handle |
| 14 | GW173-8 | | | * | * | * | * | * | * | * | * | 1 | Swaying handle presser spring |
| 15 | GW174-8 | | | * | * | * | * | * | * | * | * | 1 | Swaying handle presser spring |
| 16 | GX182-8 | | | * | * | * | * | * | * | * | * | 1 | Extension spring pin |
| 17 | GS272-8 | | | * | * | * | * | * | * | * | * | 1 | Crank screw |
| | GX218-8 | | | * | * | * | * | * | * | * | * | 1 | Crank screw |
| 18 | GR482/6-8 | | | * | * | * | * | * | * | * | * | 1 | Upper thread-running plate |
| | GR778/6-8 | | | * | * | * | * | * | * | * | * | 1 | Upper thread-running plate |
| 19 | GL162-8 | | | * | * | * | * | * | * | * | * | 1 | Upper thread-running plate nut |
| | GL175-8 | | | * | * | * | * | * | * | * | * | 1 | Upper thread-running plate nut |
| 20 | GW175-8 | | | * | * | * | * | * | * | * | * | 1 | Upper thread-running plate spring |
| 21 | GR379-8 | | | * | * | * | * | * | * | * | * | 2 | Upper thread-running pole |
| 22 | GR403/2-8 | | | * | * | * | * | * | * | * | * | 1 | Upper thread-running plate components |
| 23 | GS275-8 | | | * | * | * | * | * | * | * | * | 1 | Fixing screw |
| 24 | GS142-8 | | | * | * | * | * | * | * | * | * | 1 | Upper cover back screw |
| 25 | GS140-8 | | | * | * | * | * | * | * | * | * | 1 | Upper cover set screw |
| | GS376-8 | | | * | * | * | * | * | * | * | * | 2 | Upper cover screw |
| 26 | GR234/5-8 | * | | | | | | | | | | 1 | Thread-running components |
| 27 | GR235-8 | * | | | | | | | | | | 1 | Thread-running pole |
| | GR365-8 | * | | | | | | | | | * | 1 | Thread-running pole |
| 28 | GR236-8 | * | | | | | | | | | | 2 | Thread-running plate |
| 29 | GW132-8 | * | | | | | | | | | | 1 | Thread-running spring |
| 30 | GS141-8 | * | | | | | | | | | | 1 | Thread-running holding screw |
| 31 | GL160-8 | * | | | | | | | | | * | 2 | Thread-holding nut |
| 32 | GS260-8 | * | | | | | | | | * | * | 2 | Thread-holding screw |
| 33 | GR237-8 | * | | | | | | | | * | * | 4 | Thread-holding plate |
| 34 | GR369-8 | * | | | | | | | | * | * | 2 | Thread-holding spring |
| 35 | GW133-8 | * | | | | | | | | * | * | 2 | Thread-holding spring |
| 36 | GR239-8 | * | | | | | | | | * | * | 2 | Thread-holding brake |
| 37 | GL160-8 | * | | | | | | | | * | * | 2 | Thread-holding nut |

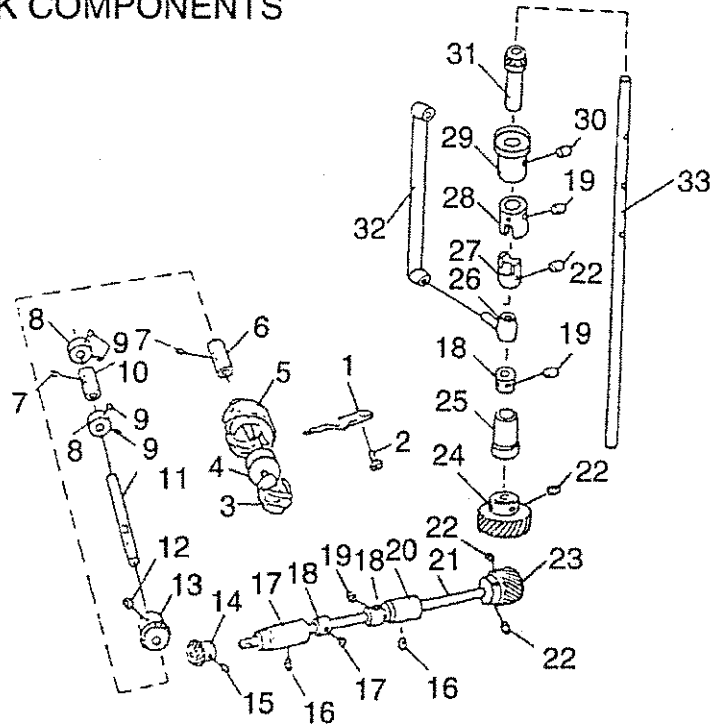
EMBROIDERY STITCH COMPONENTS



| No. | Part No. | | | | | | | | | | | Description | |
|-----|-----------|---|---|---|---|---|---|---|---|---|---|-------------|---|
| 1 | GR485/5-8 | * | - | * | * | * | * | * | * | * | * | 1 | Swaying rack of needle staff components |
| 2 | GR251-8 | * | - | * | * | * | * | * | * | * | * | 1 | Swaying rack of needle staff |
| 3 | GR255-8 | * | * | * | * | * | * | * | * | * | * | 1 | Locating plate of needle staff |
| 4 | GS163-8 | * | * | * | * | * | * | * | * | * | * | 2 | Locating plate screw |
| 5 | GS158-8 | * | * | * | * | * | * | * | * | * | * | 1 | Eccentric pin screw of needle staff |
| 6 | GX143-8 | * | * | * | * | * | * | * | * | * | * | 1 | Pin of swaying rack |
| 7 | GS164-8 | * | * | * | * | * | * | * | * | * | * | 1 | Pin of swaying rack screw |
| 8 | GZ223-8 | - | - | * | - | * | - | * | - | * | - | 1 | Needle bar |
| | GZ140-8 | * | - | * | - | * | - | * | - | * | - | 1 | Needle bar |
| 9 | GR252-8 | * | - | * | - | * | - | * | - | * | - | 1 | Thread-hook of needle staff |
| 10 | GV130-8 | * | * | * | * | * | * | * | * | * | * | 1 | Needle |
| 11 | GS159-8 | * | - | * | - | * | - | * | - | * | - | 1 | Locking screw of needle |
| 12 | GR484/4-8 | - | - | * | - | * | - | * | - | * | - | 1 | Needle clamp components |
| 13 | GR467-8 | - | - | * | - | * | - | * | - | * | - | 1 | Needle clamp |
| 14 | GS290-8 | - | - | * | - | * | - | * | - | * | - | 1 | Thread-hook screw |
| 15 | GR466-8 | - | - | * | - | * | - | * | - | * | - | 1 | Thread-hook of needle staff |
| 16 | GS289-8 | - | - | * | - | * | - | * | - | * | - | 1 | Needle lock screw |
| 17 | GR361-8 | - | * | - | - | - | - | - | - | * | - | 1 | Needle bar swaying rack |
| 18 | GZ200-8 | - | * | - | - | - | - | - | - | * | - | 1 | Double needle needle bar |
| 19 | GS202-8 | - | * | - | - | - | - | - | - | * | - | 1 | Double needle clamber lock screw |
| 20 | GR360-8 | - | * | - | - | - | - | - | - | * | - | 1 | Double needle clamber A |
| | GR360B-8 | - | * | - | - | - | - | - | - | * | - | 1 | Double needle clamber B |
| | GR360C-8 | - | * | - | - | - | - | - | - | * | - | 1 | Double needle clamber C |
| 21 | GV130-8 | - | * | - | - | - | - | - | - | * | - | 2 | Needle |
| 22 | GS262-8 | - | * | - | - | - | - | - | - | * | - | 2 | Needle lock screw |
| 23 | GS254-8 | * | * | - | - | - | - | - | - | - | - | 1 | Clamping screw of upper wheel |
| 24 | GS279-8 | - | * | - | - | - | - | - | - | * | - | 1 | Clutch little screw |
| 25 | GS278-8 | - | * | - | - | - | - | - | - | * | - | 1 | Clutch screw |
| | GP151-8 | - | * | - | - | - | - | - | - | * | - | 1 | Clutch wheel |
| 26 | GR360-8 | - | * | - | - | - | - | - | - | * | - | 1 | Clutch washer |
| 27 | GS200-8 | * | * | * | * | * | * | * | * | * | * | 2 | Upper wheel lock screw |
| 28 | GP142-8 | - | * | - | - | - | - | - | - | * | - | 1 | Upper wheel |
| | GP130-8 | * | * | - | - | - | - | - | - | * | - | 1 | Upper wheel |
| 29 | GS280-8 | - | * | - | - | - | - | - | - | * | - | 1 | Sieve screw |
| 30 | GO209-8 | - | * | - | - | - | - | - | - | * | - | 1 | Sieve of upper wheel |
| 31 | GS277-8 | - | * | - | - | - | - | - | - | * | - | 1 | Back sleeve of upper shaft |
| | GS173-8 | * | * | - | - | - | - | - | - | * | - | 1 | Fastening screw of back sleeve |
| 32 | GO208-8 | - | * | - | - | - | - | - | - | * | - | 1 | Back sleeve of upper shaft |
| | GO144-8 | * | * | - | - | - | - | - | - | * | - | 1 | Back sleeve of upper shaft |
| 33 | GZ141-8 | * | * | - | - | - | - | - | - | * | - | 1 | Upper shaft |
| | GZ207-8 | - | * | - | - | - | - | - | - | * | - | 1 | Upper shaft |
| | GZ203-8 | - | * | - | - | - | - | - | - | * | - | 1 | Upper shaft |
| | GZ248-8 | - | * | - | - | - | - | - | - | * | - | 1 | Upper shaft |
| 34 | GT153-8 | * | * | * | * | * | * | * | * | * | * | 1 | Cam of cloth-feeding |
| 35 | GS251-8 | * | * | * | * | * | * | * | * | * | * | 2 | Cam of cloth-feeding screw |

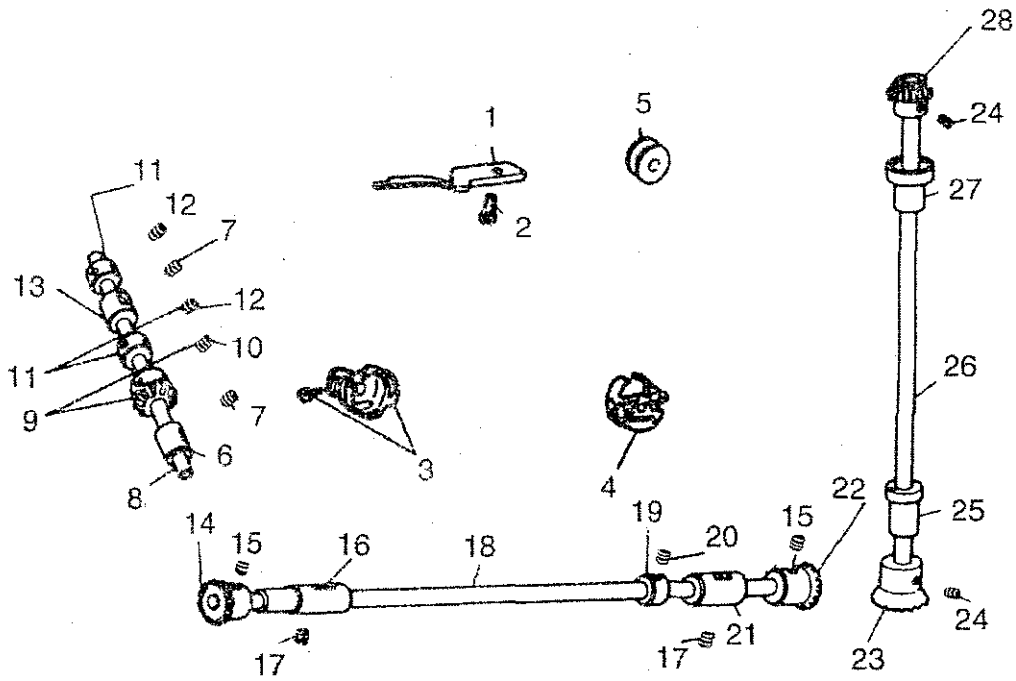
| No. | Part No. | | | | | | | | | | | | | | | | | Description |
|-----|----------|---|---|---|---|---|---|---|---|---|---|---|---|---|---|---|---|---------------------------------------|
| 36 | GC131-8 | * | * | * | * | * | * | * | * | * | * | * | * | * | * | * | 1 | Arc-cone gear (upper shaft) |
| 37 | GS167-8 | * | * | * | * | * | * | * | * | * | * | * | * | * | * | * | 2 | Screw of are-cone gear |
| 38 | GC130-8 | * | * | * | * | * | * | * | * | * | * | * | * | * | * | * | 1 | Spiral of gear of upper shaft |
| | GC148-8 | - | - | - | - | - | - | - | - | * | * | * | * | * | * | * | 1 | Spiral of gear of upper shaft |
| 39 | GS170-8 | * | * | * | * | * | * | * | * | * | * | * | * | * | * | * | 1 | Screw of spiral gear |
| 40 | GO143-8 | * | * | * | * | * | * | * | * | * | * | * | * | * | * | * | 1 | Front sleeve of upper shaft |
| 41 | GS169-8 | * | * | * | * | * | * | * | * | * | * | * | * | * | * | * | 1 | Fastening screw of front sleeve |
| 42 | GH145-8 | * | * | * | * | * | * | * | * | * | * | * | * | * | * | * | 1 | Stitch crank |
| 43 | GS168-8 | * | * | * | * | * | * | * | * | * | * | * | * | * | * | * | 1 | Stitch crank screw |
| 44 | GS404-8 | * | * | * | * | * | * | * | * | * | * | * | * | * | * | * | 2 | Crank fastening screw |
| 45 | GX144-8 | * | * | * | * | * | * | * | * | * | * | * | * | * | * | * | 1 | Pin of swaying staff |
| 46 | GS147-8 | * | * | * | * | * | * | * | * | * | * | * | * | * | * | * | 1 | Screw of swaying staff |
| 47 | GH141-8 | * | * | * | * | * | * | * | * | * | * | * | * | * | * | * | 1 | Stitch-swaying staff |
| 48 | GH143-8 | * | - | * | * | * | * | * | * | * | * | * | * | * | * | * | 1 | Stitch-staff |
| 49 | GH200-8 | - | * | - | - | - | - | - | - | - | - | - | - | - | - | - | 1 | Stitch-staff |
| 50 | GH144-8 | * | * | * | * | * | * | * | * | * | * | * | * | * | * | * | 1 | Crank of needle staff |
| 51 | GH140-8 | * | * | * | * | * | * | * | * | * | * | * | * | * | * | * | 1 | Small connecting staff |
| 52 | GS166-8 | * | * | * | * | * | * | * | * | * | * | * | * | * | * | * | 1 | Toothed screw |
| 53 | GR253-8 | * | * | * | * | * | * | * | * | * | * | * | * | * | * | * | 1 | Connecting shaft |
| 54 | GS161-8 | * | * | * | * | * | * | * | * | * | * | * | * | * | * | * | 1 | Pin-screw of needle |
| 55 | GO141-8 | * | * | * | * | * | * | * | * | * | * | * | * | * | * | * | 1 | Pin-washer of connecting shaft |
| 56 | GZ142-8 | * | * | * | * | * | * | * | * | * | * | * | * | * | * | * | 1 | Pin of connecting shaft |
| 57 | GS160-8 | * | * | * | * | * | * | * | * | * | * | * | * | * | * | * | 1 | Pin-locking screw of connecting shaft |
| 58 | GK254-8 | * | * | * | * | * | * | * | * | * | * | * | * | * | * | * | 1 | Guide of small of connecting staff |
| 59 | GS132-8 | * | * | * | * | * | * | * | * | * | * | * | * | * | * | * | 2 | Screw of guide |
| 60 | GO217-8 | * | * | * | * | * | * | * | * | * | * | * | * | * | * | * | 2 | Guide washer |

THREAD-HOOK COMPONENTS



| No. | Part No. | | | | | | | | | | | | | | | | | | | Description |
|-----|----------|---|---|---|---|---|---|---|---|---|---|---|---|---|---|---|---|---|---|---|
| 1 | GR278-8 | * | * | - | * | - | - | * | * | - | - | - | - | - | - | - | - | - | 1 | Locating plate of rotating shuttle |
| 2 | GS256-8 | * | * | - | * | - | - | * | * | - | - | - | - | - | - | - | - | - | 1 | Screw of locating plate |
| 3 | GM131-8 | * | * | - | * | - | - | * | * | - | - | - | - | - | - | - | - | - | 1 | Shuttle |
| 4 | GN135-8 | * | * | - | * | - | - | * | * | - | - | - | - | - | - | - | - | - | 1 | Shuttle core |
| 5 | GN130-8 | * | * | - | * | - | - | * | * | - | - | - | - | - | - | - | - | - | 1 | Rotating shuttle |
| 6 | GO163-8 | * | * | - | * | - | - | * | * | - | - | - | - | - | - | - | - | - | 1 | Front sleeve of rotating shuttle shaft |
| 7 | GS201-8 | * | * | - | * | - | - | * | * | - | - | - | - | - | - | - | - | - | 2 | Screw of front sleeve |
| 8 | G0164-8 | * | * | - | * | - | - | * | * | - | - | - | - | - | - | - | - | - | 2 | Retainer of rotating shuttle shaft |
| 9 | GS202-8 | * | * | - | * | - | - | * | * | - | - | - | - | - | - | - | - | - | 4 | Retainer screw |
| 10 | GO165-8 | * | * | - | * | - | - | * | * | - | - | - | - | - | - | - | - | - | 1 | Back sleeve of rotating shuttle shaft |
| 11 | GZ164-8 | * | * | - | * | - | - | * | * | - | - | - | - | - | - | - | - | - | 1 | Rotating shuttle shaft |
| 12 | GS167-8 | * | * | - | * | - | - | * | * | - | - | - | - | - | - | - | - | - | 2 | Screw arc-cone gear |
| 13 | GC141-8 | * | * | - | * | - | - | * | * | - | - | - | - | - | - | - | - | - | 1 | Arc-cone gear of rotating shuttle shaft |
| 14 | GC140-8 | * | * | - | * | - | - | * | * | - | - | - | - | - | - | - | - | - | 1 | Arc-cone gear of lower shaft |
| 15 | GS199-8 | * | * | - | * | - | - | * | * | - | - | - | - | - | - | - | - | - | 2 | Screw of arc-cone gear |
| 16 | GS147-8 | * | * | - | * | - | - | * | * | - | - | - | - | - | - | - | - | - | 2 | Screw |
| 17 | G0162-8 | * | * | - | * | - | - | * | * | - | - | - | - | - | - | - | - | - | 1 | Front sleeve of lower shaft |
| 18 | G0216-8 | - | - | - | - | - | - | - | - | - | - | - | - | - | - | - | - | - | 1 | Front sleeve of lower shaft |
| 19 | G0158-8 | * | * | - | * | - | - | * | * | - | - | - | - | - | - | - | - | - | 3 | Lower shaft retainer |
| 20 | GS199-8 | * | * | - | * | - | - | * | * | - | - | - | - | - | - | - | - | - | 6 | Retainer screw of lower shaft |
| 21 | GO161-8 | * | * | - | * | - | - | * | * | - | - | - | - | - | - | - | - | - | 1 | Back sleeve of lower shaft |
| 22 | G0215-8 | - | - | - | - | - | - | - | - | - | - | - | - | - | - | - | - | - | 1 | Back sleeve of lower shaft |
| 23 | GZ163-8 | * | * | - | * | - | - | * | * | - | - | - | - | - | - | - | - | - | 1 | Lower shaft |
| 24 | GZ210-8 | - | - | - | - | - | - | - | - | - | - | - | - | - | - | - | - | - | 1 | Lower shaft |
| 25 | GS167-8 | * | * | - | * | - | - | * | * | - | - | - | - | - | - | - | - | - | 6 | Screw of differential gear |
| 26 | GC139-8 | * | * | - | * | - | - | * | * | - | - | - | - | - | - | - | - | - | 1 | Differential gear |
| 27 | GC137-8 | * | * | - | * | - | - | * | * | - | - | - | - | - | - | - | - | - | 1 | Differential gear |
| 28 | GO159-8 | * | * | - | * | - | - | * | * | - | - | - | - | - | - | - | - | - | 1 | Lower sleeve of vertical shaft |
| 29 | G0157-8 | * | * | - | * | - | - | * | * | - | - | - | - | - | - | - | - | - | 1 | Differential shaft sliding-cover |
| 30 | G0156-8 | * | * | - | * | - | - | * | * | - | - | - | - | - | - | - | - | - | 1 | Lower clutch sleeve |
| 31 | GO155-8 | * | * | - | * | - | - | * | * | - | - | - | - | - | - | - | - | - | 1 | Upper clutch sleeve |
| 32 | GO154-8 | * | * | - | * | - | - | * | * | - | - | - | - | - | - | - | - | - | 1 | Upper sleeve of vertical shaft |
| 33 | GS198-8 | * | * | - | * | - | - | * | * | - | - | - | - | - | - | - | - | - | 1 | Screw of upper sleeve |
| 34 | GC136-8 | * | * | - | * | - | - | * | * | - | - | - | - | - | - | - | - | - | 1 | Arc-cone gear |
| 35 | GH168-8 | * | * | - | * | - | - | * | * | - | - | - | - | - | - | - | - | - | 1 | Differential connecting bar |
| 36 | GZ162-8 | * | * | - | * | - | - | * | * | - | - | - | - | - | - | - | - | - | 1 | Vertical shaft |

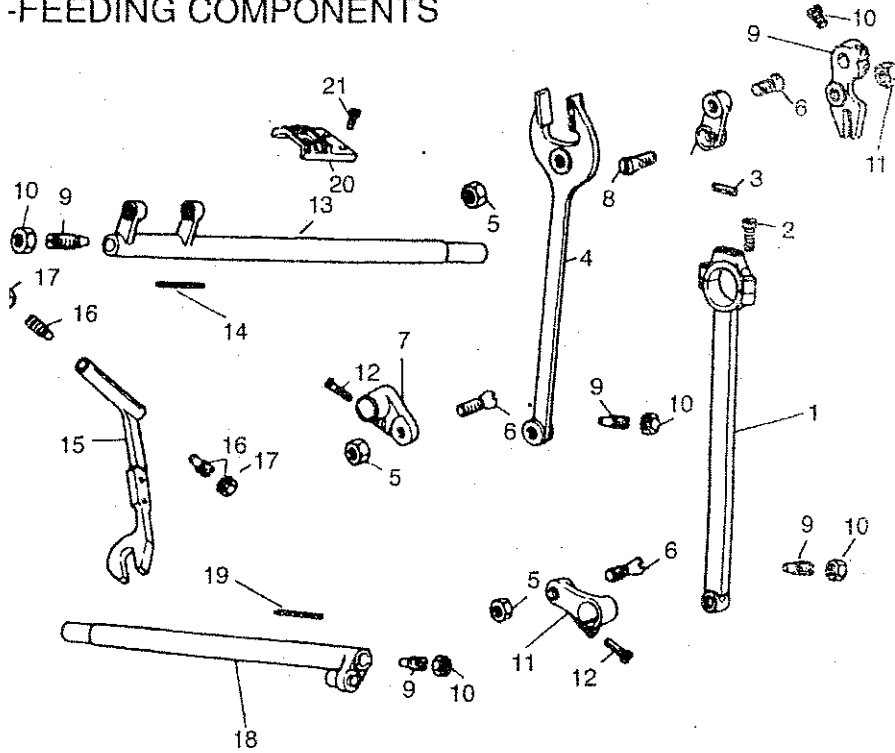
THREAD-HOOK COMPONENTS



| No. | Part No. | Description |
|-----|----------|---|
| 1 | GR278-8 | Locating plate of rotating shuttle |
| 2 | GS256-8 | Screw of locating plate |
| 3 | GN130-8 | Shuttle |
| 4 | GN131-8 | Shuttle core |
| 5 | GN135-8 | Rotating shuttle |
| 6 | GO163-8 | Front sleeve of rotating shuttle shaft |
| 7 | GS201-8 | Screw of front sleeve |
| 8 | GZ164-8 | Rotating shuttle shaft |
| 9 | GC141-8 | Screw arc-cone gear |
| 10 | GS167-8 | Arc-cone gear of rotating shuttle shaft |
| 11 | GO164-8 | Retainer of rotating shuttle shaft |
| 12 | GS202-8 | Retainer screw |
| 13 | GO165-8 | Back sleeve of rotating shuttle shaft |
| 14 | GC140-8 | Arc-cone gear of lower shaft(left) |
| 15 | GS199-8 | Screw of lower shaft |
| 16 | GO162-8 | Front sleeve of lower shaft |
| 17 | GS147-8 | Screw of arc-cone gear |
| 18 | GZ225-8 | Lower shaft |
| 19 | GO232-8 | Lower shaft retainer |
| 20 | GS199-8 | Retainer screw of lower shaft |
| 21 | GO231-8 | Back sleeve of lower shaft |
| 22 | GC151-8 | Arc-cone gear of lower shaft(right) |
| 23 | GC152-8 | Arc-cone gear of vertical shaft(lower) |
| 24 | GS199-8 | screw of differential gear |
| 25 | GO229-8 | Lower sleeve of vertical shaft |
| 26 | GZ224-8 | Vertical shaft |
| 27 | GO228-8 | Upper sleeve of vertical shaft |
| 28 | GC150-8 | Arc-cone gear of vertical shaft(upper) |

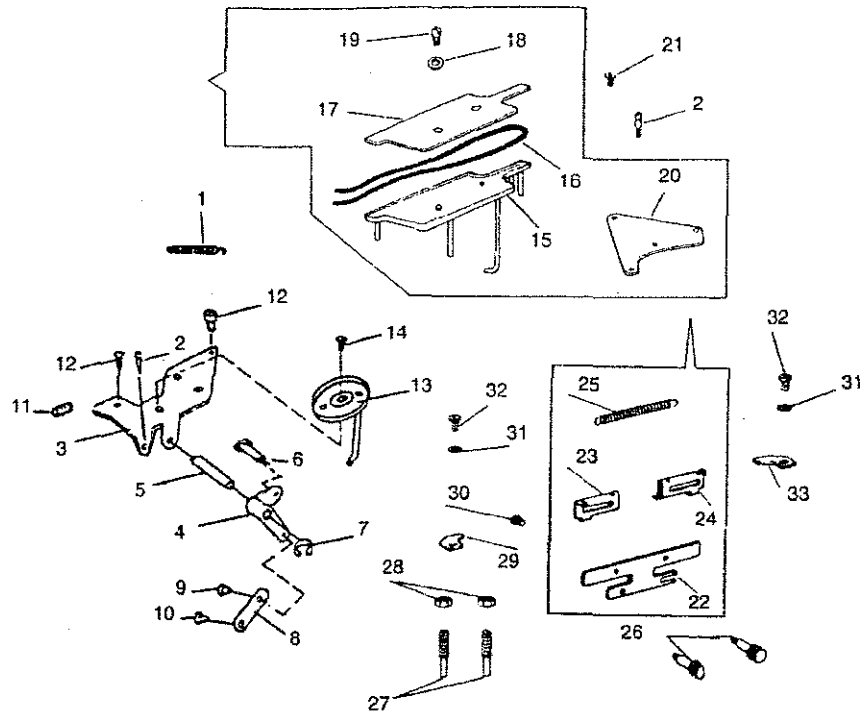
MATERIAL FEEDING COMPONENTS

-FEEDING COMPONENTS



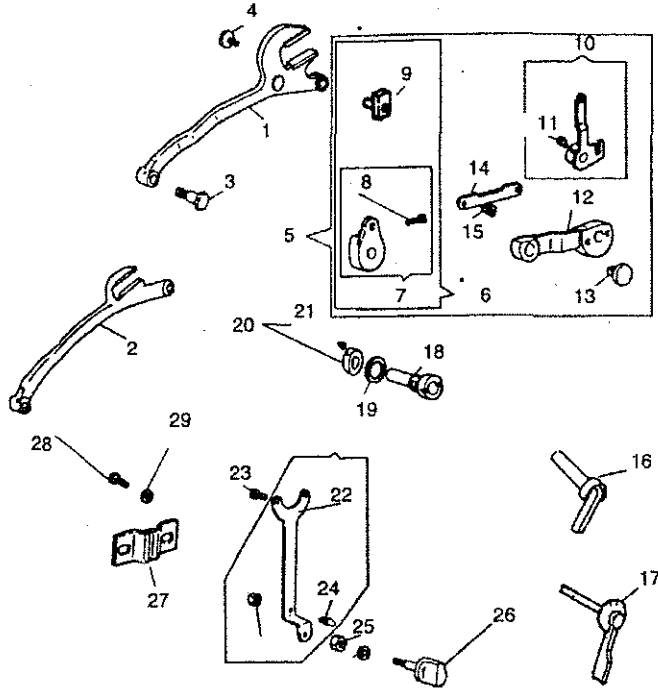
| No. | Part No. | | | | | | | | | | | Description | |
|-----|-----------|---|---|---|---|---|---|---|---|---|---|-------------|--|
| 1 | GR504/4-8 | * | * | * | * | * | * | * | * | * | * | 1 | Toothed connecting bar components |
| 2 | GS142-8 | * | * | * | * | * | * | * | * | * | * | 2 | Toothed connecting bar screw |
| 3 | GR268-8 | * | * | * | * | * | * | * | * | * | * | 1 | Oil felt |
| 4 | GR267-8 | * | * | * | * | * | * | * | * | * | * | 1 | Toothed fork |
| 5 | GC142-8 | * | * | * | * | * | * | * | * | * | * | 3 | Small cone nut |
| 6 | GS188-8 | * | * | * | * | * | * | * | * | * | * | 3 | Small cone screw |
| 7 | GH157-8 | * | * | * | * | * | * | * | * | * | * | 1 | Connecting bar of needle distance base |
| 8 | GS283-8 | * | * | * | * | * | * | * | * | * | * | 1 | Toothed fork small cone screw |
| 9 | GR336-8 | * | * | * | * | * | * | * | * | * | * | 1 | Needle distance base |
| | GR734-8 | - | - | - | - | * | * | * | * | * | * | 1 | Needle distance base |
| 10 | GS263-8 | * | * | * | * | * | * | * | * | * | * | 1 | Screw of needle distance base |
| 11 | GL142-8 | * | * | * | * | * | * | * | * | * | * | 1 | Pointed nut |
| 12 | GS185-8 | * | * | * | * | * | * | * | * | * | * | 2 | Crank screw of material-feeding tooth |
| 13 | GZ209-8 | * | * | * | * | * | * | * | * | * | * | 1 | Cloth-feeding shaft |
| | GZ152-8 | - | - | - | - | - | * | * | * | * | * | 1 | Cloth-feeding shaft |
| 14 | GR512-8 | * | * | * | * | * | * | * | * | * | * | 1 | Cloth-feeding shaft oil level |
| 15 | GR265-8 | * | * | * | * | * | * | * | * | * | * | 1 | Tooth rack |
| 16 | GS183-8 | * | * | * | * | * | * | * | * | * | * | 2 | Pointed screw of tooth rack |
| 17 | GL140-8 | * | * | * | * | * | * | * | * | * | * | 2 | Pointed nut of tooth rack |
| 18 | GZ151-8 | * | * | * | * | * | * | * | * | * | * | 1 | Toothed shaft |
| | GZ208-8 | - | - | - | - | - | * | * | * | * | * | 1 | Toothed shaft |
| 19 | | * | * | * | * | * | * | * | * | * | * | 1 | Toothed shaft oil level |
| 20 | GM142-8 | * | * | * | * | * | * | * | * | * | * | 1 | Material-feeding shaft |
| | GM160-8 | - | - | * | * | * | * | * | * | * | * | 1 | Material-feeding shaft |
| 21 | GS184-8 | * | * | * | * | * | * | * | * | * | * | 2 | Material-feeding shaft screw |

DIFFERENTIAL, LUBRICATION COMPONENTS



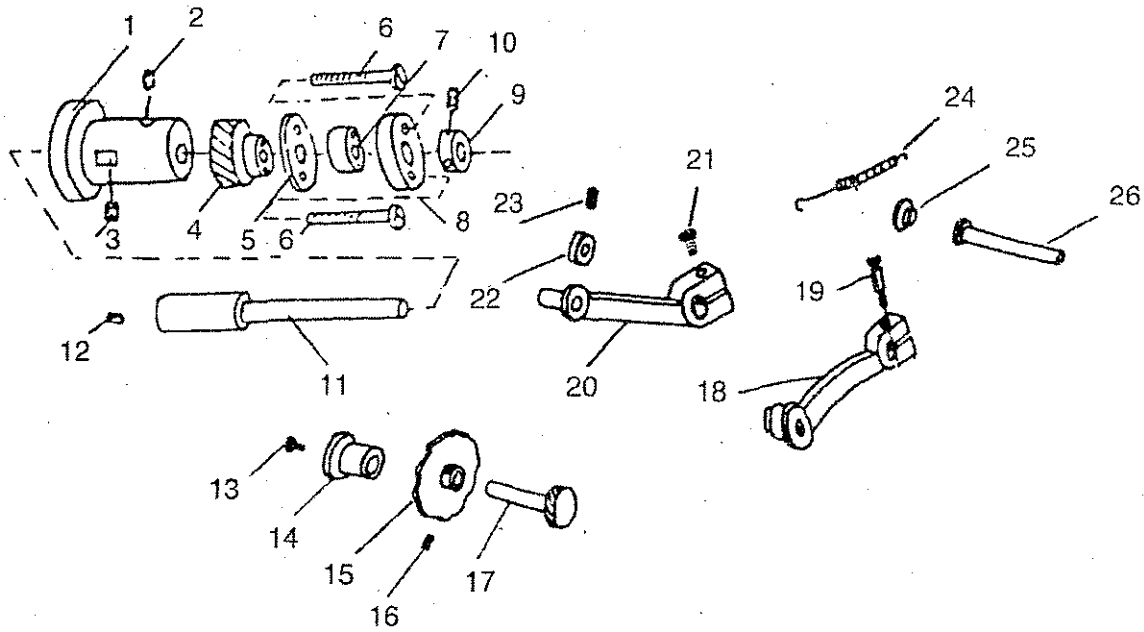
| No. | Part No. | | | | | | | | | | | | | | | | | | | Description | |
|-----|-----------|---|---|---|---|---|---|---|---|---|---|---|---|---|---|---|---|---|---|-------------|---|
| 1 | GW141-8 | * | * | * | * | * | * | * | * | * | * | * | * | * | * | * | * | * | * | 1 | Spring for adjusting crank |
| 2 | GS212-8 | * | * | * | * | * | * | * | * | * | * | * | * | * | * | * | * | * | * | 1 | Screw of extension spring |
| 3 | GR299/2-8 | * | * | * | * | * | * | * | * | * | * | * | * | * | * | * | * | * | * | 1 | Locating rack components |
| | GR390/2-8 | * | * | * | * | * | * | * | * | * | * | * | * | * | * | * | * | * | * | 1 | Locating rack components |
| 4 | GH180/3-8 | * | * | * | * | * | * | * | * | * | * | * | * | * | * | * | * | * | * | 1 | Differential crank components |
| | GH210/3-8 | * | * | * | * | * | * | * | * | * | * | * | * | * | * | * | * | * | * | 1 | Differential crank components |
| 5 | GZ175-8 | * | * | * | * | * | * | * | * | * | * | * | * | * | * | * | * | * | * | 1 | Differential connecting shaft |
| 6 | GS219-8 | * | * | * | * | * | * | * | * | * | * | * | * | * | * | * | * | * | * | 1 | Screw of differential connecting bar |
| 7 | GO177-8 | * | * | * | * | * | * | * | * | * | * | * | * | * | * | * | * | * | * | 1 | Retainer of differential connecting shaft |
| 8 | GH179-8 | * | * | * | * | * | * | * | * | * | * | * | * | * | * | * | * | * | * | 1 | Differential connecting shaft |
| 9 | GS216-8 | * | * | * | * | * | * | * | * | * | * | * | * | * | * | * | * | * | * | 1 | Screw of differential connecting bar |
| 10 | GS217-8 | * | * | * | * | * | * | * | * | * | * | * | * | * | * | * | * | * | * | 1 | Connecting screw for sliding block |
| 11 | GS213-8 | * | * | * | * | * | * | * | * | * | * | * | * | * | * | * | * | * | * | 1 | Set screw of locating rack sleeve |
| 12 | GS256-8 | * | * | * | * | * | * | * | * | * | * | * | * | * | * | * | * | * | * | 2 | Screw of locating rack |
| 13 | GR297-8 | * | * | * | * | * | * | * | * | * | * | * | * | * | * | * | * | * | * | 1 | Oil tray |
| 14 | GS132-8 | * | * | * | * | * | * | * | * | * | * | * | * | * | * | * | * | * | * | 1 | Oil tray screw |
| 15 | GR382/6-8 | * | * | * | * | * | * | * | * | * | * | * | * | * | * | * | * | * | * | 1 | Oil tray |
| | GR474/6-8 | * | * | * | * | * | * | * | * | * | * | * | * | * | * | * | * | * | * | 1 | Oil tray |
| 16 | GR389-8 | * | * | * | * | * | * | * | * | * | * | * | * | * | * | * | * | * | * | 1 | Oil gauze |
| 17 | GR388-8 | * | * | * | * | * | * | * | * | * | * | * | * | * | * | * | * | * | * | 1 | Wheel of oil tray |
| 18 | GO217-8 | * | * | * | * | * | * | * | * | * | * | * | * | * | * | * | * | * | * | 2 | Flat washer |
| 19 | GS132-8 | * | * | * | * | * | * | * | * | * | * | * | * | * | * | * | * | * | * | 2 | Screw of oil tray |
| 20 | GR469-8 | * | * | * | * | * | * | * | * | * | * | * | * | * | * | * | * | * | * | 1 | Oil tray set base |
| 21 | GS256-8 | * | * | * | * | * | * | * | * | * | * | * | * | * | * | * | * | * | * | 1 | Screw of oil tray set base |
| 22 | GR294-8 | * | * | * | * | * | * | * | * | * | * | * | * | * | * | * | * | * | * | 1 | Locating rack for needle distance |
| 23 | GR290-8 | * | * | * | * | * | * | * | * | * | * | * | * | * | * | * | * | * | * | 1 | Locating rack for needle distance(A) |
| 24 | GR291-8 | * | * | * | * | * | * | * | * | * | * | * | * | * | * | * | * | * | * | 1 | Locating rack for needle distance(B) |
| 25 | GW142-8 | * | * | * | * | * | * | * | * | * | * | * | * | * | * | * | * | * | * | 1 | Extension spring of locating rack |
| 26 | GS253-8 | * | * | * | * | * | * | * | * | * | * | * | * | * | * | * | * | * | * | 2 | Locating screw |
| | GS383-8 | * | * | * | * | * | * | * | * | * | * | * | * | * | * | * | * | * | * | 2 | Locating screw |
| 27 | GS215-8 | * | * | * | * | * | * | * | * | * | * | * | * | * | * | * | * | * | * | 2 | Adjusting screw of locating block |
| 28 | GL153-8 | * | * | * | * | * | * | * | * | * | * | * | * | * | * | * | * | * | * | 2 | Adjusting nut of locating block |
| 29 | GR289-8 | * | * | * | * | * | * | * | * | * | * | * | * | * | * | * | * | * | * | 1 | Locating block for needle block |
| 30 | GS213-8 | * | * | * | * | * | * | * | * | * | * | * | * | * | * | * | * | * | * | 2 | Screw of locating block |
| 31 | GO174-8 | * | * | * | * | * | * | * | * | * | * | * | * | * | * | * | * | * | * | 2 | Washer of locating block |
| 32 | GS256-8 | * | * | * | * | * | * | * | * | * | * | * | * | * | * | * | * | * | * | 2 | Screw of locating block |
| 33 | GR295-8 | * | * | * | * | * | * | * | * | * | * | * | * | * | * | * | * | * | * | 1 | Right locating block for needle distance |
| | GR289-8 | * | * | * | * | * | * | * | * | * | * | * | * | * | * | * | * | * | * | 1 | Right locating block for needle distance |
| | GR366-8 | * | * | * | * | * | * | * | * | * | * | * | * | * | * | * | * | * | * | 1 | Right locating block for needle distance |

COMPONENTS OF SWAYING NEEDLE



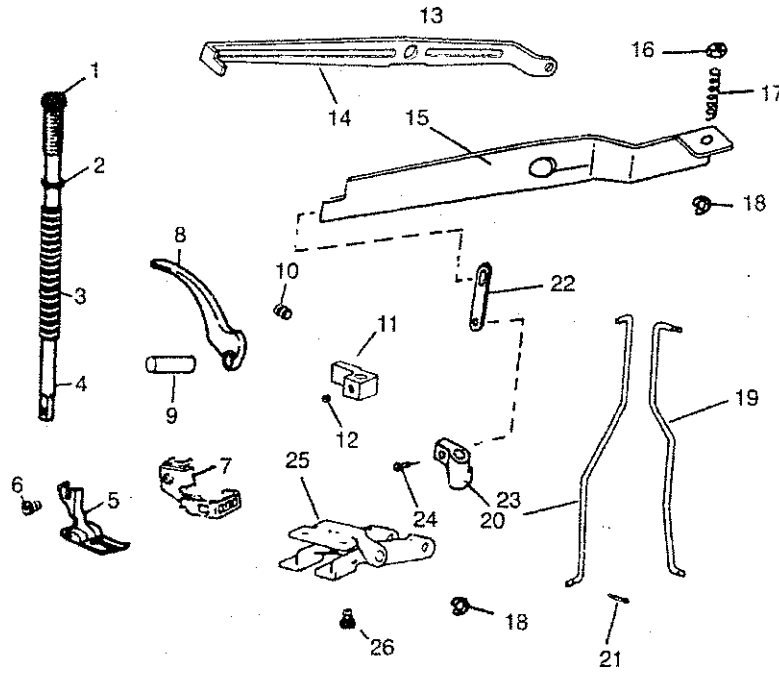
| No. | Part No. | | | | | | | | | | | | Description | | |
|-----|------------|---|---|---|---|---|---|---|---|---|---|---|-------------|---|---|
| 1 | GR288-8 | * | * | * | - | * | * | - | - | - | - | - | - | 1 | Fork of horizontal needle |
| | GR381-8 | - | - | - | * | - | * | - | - | - | - | - | - | 1 | Fork of horizontal needle |
| | GR402-8 | - | - | - | - | - | - | * | - | - | - | - | - | 1 | Fork of horizontal needle |
| 2 | GR457-8 | - | - | - | - | - | - | - | * | * | * | * | * | 1 | Fork of horizontal needle |
| 3 | GX155-8 | * | * | * | * | * | * | * | * | * | * | * | * | 1 | Eccentric pin of needle staff |
| 4 | GS291-8 | - | - | * | - | * | * | - | * | * | * | * | * | 1 | Screw of sliding block |
| | GS217-8 | * | * | - | * | - | * | - | - | - | - | - | - | 1 | Screw of sliding block |
| 5 | GR521/12-8 | * | * | * | * | * | * | * | * | * | * | * | * | 1 | Locating block of swaying needle compone |
| 6 | GR519/3-8 | * | * | * | * | * | * | * | * | * | * | * | * | 1 | Sliding block of swaying needle component |
| 7 | GR298-8 | * | * | * | - | * | * | - | * | * | * | * | * | 1 | Guide base of swaying needle |
| 8 | GR393-8 | - | - | - | * | - | * | - | - | - | - | - | - | 1 | Guide base of swaying needle |
| 9 | GS185-8 | * | * | * | * | * | * | * | * | * | * | * | * | 1 | Screw of guide base of swaying needle |
| 10 | GR292/2-8 | * | * | * | * | * | * | - | * | * | * | * | * | 1 | Sliding block of swaying needle |
| | GR407/2-8 | - | - | - | - | - | - | * | - | - | - | - | - | 1 | Adjusting crank component |
| 11 | GS214-8 | * | * | * | * | * | * | * | * | * | * | * | * | 1 | Adjusting crank component |
| 12 | GR296-8 | * | * | * | * | * | * | * | * | * | * | * | * | 1 | Screw of adjusting crank sleeve |
| | GR459-8 | - | - | - | - | - | - | - | * | * | * | * | * | 1 | Locating block of swaying needle |
| 13 | GX154-8 | * | * | * | * | * | * | * | * | * | * | * | * | 1 | Locating block of swaying needle |
| 14 | GH178-8 | * | * | * | * | * | * | * | * | * | * | * | * | 1 | Connecting pin of guide |
| 15 | GS216-8 | * | * | * | * | * | * | * | * | * | * | * | * | 3 | Adjustable connecting bar |
| 16 | GR392/2-8 | * | * | * | * | * | * | * | * | * | * | * | * | 1 | Connecting screw of differential connecting |
| 17 | GR731/2-8 | - | - | - | * | * | * | * | * | * | * | * | * | 1 | Spanner of swaying needle component |
| 18 | GO179-8 | * | * | * | * | * | * | * | * | * | * | * | * | 1 | Spanner of swaying needle component |
| | GO286-8 | - | - | - | - | - | - | * | * | * | * | * | * | 1 | Spanner sleeve |
| 19 | GO211-8 | * | * | * | * | * | * | * | * | * | * | * | * | 1 | Spanner sleeve |
| 20 | GO178-8 | * | * | * | * | * | * | * | * | * | * | * | * | 1 | Washer of spanner sleeve |
| 21 | GR218-8 | * | * | * | * | * | * | * | * | * | * | * | * | 1 | Locating retainer of spanner |
| 22 | GR394-8 | * | * | * | * | * | * | * | * | * | * | * | * | 2 | Screw of locating retainer of spanner |
| 23 | GS223-8 | - | - | * | * | * | * | - | - | - | - | - | - | 1 | Adjusting rack |
| 24 | GS281-8 | - | - | * | * | * | * | - | - | - | - | - | - | 1 | Screw |
| 25 | GL163-8 | - | - | * | * | * | * | - | - | - | - | - | - | 2 | Locating pin of adjusting rack |
| 26 | GR411-8 | - | - | * | * | * | * | - | - | - | - | - | - | 1 | Locating pin nut of adjusting rack |
| | GR729-8 | - | - | - | - | * | * | - | - | - | - | - | - | 1 | Handle component |
| | GR395-8 | - | - | - | - | * | * | - | - | - | - | - | - | 1 | Handle component |
| | GR468-8 | - | - | * | * | * | * | - | - | - | - | - | - | 1 | Locating rack |
| 28 | GS273-8 | - | - | * | * | * | * | - | - | - | - | - | - | 1 | Locating rack |
| 29 | GO217-8 | - | - | * | * | * | * | - | - | - | - | - | - | 2 | Screw of locating rack |
| | | - | - | * | * | * | * | - | - | - | - | - | - | 2 | Washer of locating rack |

COMPONENTS OF SWAYING NEEDLE



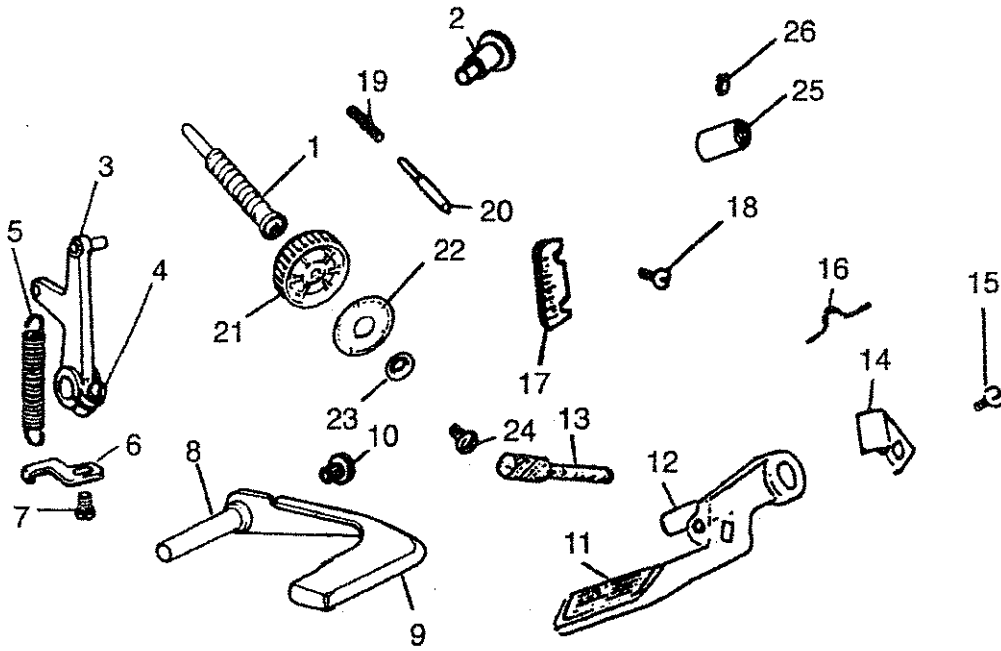
| No. | Part No. | | | | | | | | | | | | | | | | | | | | | Description | |
|-----|------------|---|---|---|---|---|---|---|---|---|---|---|---|---|---|---|---|---|---|---|---|---|------------------------------------|
| 1 | GO180-8 | * | * | - | - | - | - | - | - | - | - | - | - | - | - | - | - | - | - | - | 1 | Sleeve of swaying needle | |
| 2 | GS199-8 | * | * | - | - | - | - | - | - | - | - | - | - | - | - | - | - | - | - | - | 1 | Fastening screw of swaying needle shaft | |
| 3 | GS147-8 | * | * | - | - | - | - | - | - | - | - | - | - | - | - | - | - | - | - | - | 1 | Screw of sleeve of swaying needle | |
| 4 | GC146-8 | * | * | * | * | * | * | * | * | * | * | * | * | * | * | * | * | * | * | * | * | 1 | Gear of swaying needle |
| 5 | GO181-8 | * | * | * | * | * | * | * | * | * | * | * | * | * | * | * | * | * | * | * | * | 1 | Eccentric retainer |
| | GO212-8 | - | - | - | - | - | - | - | - | - | - | - | - | - | - | - | - | - | - | - | 1 | Eccentric retainer | |
| 6 | GS221-8 | * | * | * | * | * | * | * | * | * | * | * | * | * | * | * | * | * | * | * | * | 2 | Connecting screw of eccentric cam |
| 7 | GT145-8 | * | * | - | - | - | - | - | - | - | - | - | - | - | - | - | - | - | - | - | 1 | Eccentric cam | |
| | GT151-8 | - | - | * | * | * | * | * | * | * | * | * | * | * | * | * | * | * | * | * | * | 1 | Eccentric cam |
| 8 | GO182-8 | * | * | - | - | - | - | - | - | - | - | - | - | - | - | - | - | - | - | - | 1 | Back retainer of eccentric cam | |
| | GO213-8 | - | - | * | * | * | * | * | * | * | * | * | * | * | * | * | * | * | * | * | * | 1 | Back retainer of eccentric cam |
| 9 | GO183-8 | * | * | * | * | * | * | * | * | * | * | * | * | * | * | * | * | * | * | * | * | 1 | Retainer of swaying needle shaft |
| 10 | GS223-8 | * | * | * | * | * | * | * | * | * | * | * | * | * | * | * | * | * | * | * | * | 2 | Screw of retainer of swaying shaft |
| 11 | GZ177-8 | * | * | * | * | * | * | * | * | * | * | * | * | * | * | * | * | * | * | * | * | 1 | Swaying needle shaft |
| | GZ203-8 | - | - | * | * | * | * | * | * | * | * | * | * | * | * | * | * | * | * | * | * | 1 | Swaying needle shaft |
| | GZ219-8 | - | - | * | * | * | * | * | * | * | * | * | * | * | * | * | * | * | * | * | * | 1 | Swaying needle shaft |
| 12 | GS147-8 | - | - | * | * | * | * | * | * | * | * | * | * | * | * | * | * | * | * | * | * | 1 | Screw of swaying needle shaft |
| 13 | GS166-8 | - | - | - | - | - | - | - | - | - | - | - | - | - | - | - | - | - | - | - | 1 | Left-hand screw | |
| 14 | GO226-8 | - | - | - | - | - | - | - | - | - | - | - | - | - | - | - | - | - | - | - | 1 | Leaning gear sleeve | |
| 15 | GR461/2-8 | - | - | - | - | - | - | - | - | - | - | - | - | - | - | - | - | - | - | - | 1 | Cam component | |
| | GR1314/2-8 | - | - | - | - | - | - | - | - | - | - | - | - | - | - | - | - | - | - | - | 1 | Cam component | |
| 16 | GS202-8 | - | - | - | - | - | - | - | - | - | - | - | - | - | - | - | - | - | - | - | 1 | Sleeve screw of cam component | |
| 17 | GC149-8 | - | - | - | - | - | - | - | - | - | - | - | - | - | - | - | - | - | - | - | 1 | Leaning gear | |
| | GC175-8 | - | - | - | - | - | - | - | - | - | - | - | - | - | - | - | - | - | - | - | 1 | Leaning gear | |
| 18 | GR458/3-8 | - | - | - | - | - | - | - | - | - | - | - | - | - | - | - | - | - | - | - | 1 | Regulator fork drive lever component | |
| 19 | GS285-8 | - | - | - | - | - | - | - | - | - | - | - | - | - | - | - | - | - | - | - | 1 | Screw of drive lever | |
| 20 | GR460/3-8 | - | - | - | - | - | - | - | - | - | - | - | - | - | - | - | - | - | - | - | 1 | Following lever component | |
| 21 | GS020 | - | - | - | - | - | - | - | - | - | - | - | - | - | - | - | - | - | - | - | 1 | Screw of following lever | |
| 22 | GO164-8 | - | - | - | - | - | - | - | - | - | - | - | - | - | - | - | - | - | - | - | 1 | Washer of following lever | |
| 23 | GS202-8 | - | - | - | - | - | - | - | - | - | - | - | - | - | - | - | - | - | - | - | 1 | Washer screw | |
| 24 | GW178-8 | - | - | - | - | - | - | - | - | - | - | - | - | - | - | - | - | - | - | - | 1 | Spring | |
| 25 | GR243 | - | - | - | - | - | - | - | - | - | - | - | - | - | - | - | - | - | - | - | 1 | Rubber cap | |
| 26 | GZ222-8 | - | - | - | - | - | - | - | - | - | - | - | - | - | - | - | - | - | - | - | 1 | Following shaft | |

PRESSER FOOT COMPONENTS



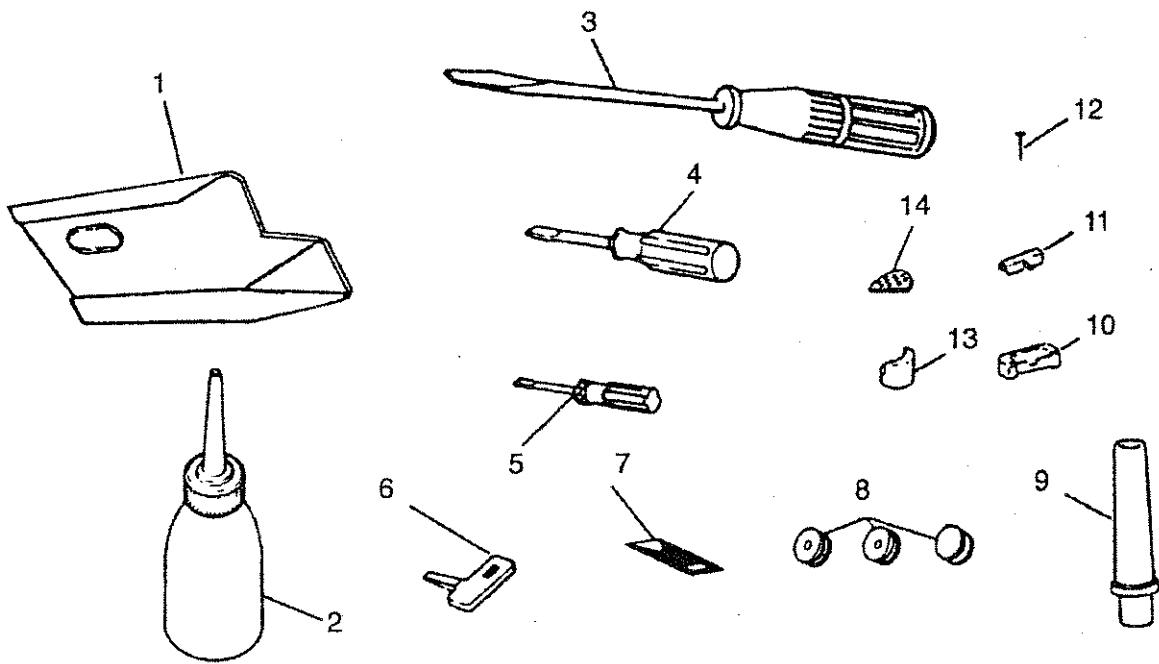
| No. | Part No. | | | | | | | | | | | | | | | | | | | Description | |
|-----|------------|---|---|---|---|---|---|---|---|---|---|---|---|---|---|--|--|--|---|-------------------------|--------------------------------------|
| 1 | GS234-8 | * | * | * | * | - | - | * | * | * | * | * | * | * | * | | | | | 1 | Screw for presser-adjusting |
| | GS384-8 | - | - | - | - | * | * | * | * | - | - | - | - | - | - | | | | | 1 | Screw for presser-adjusting |
| 2 | GC178-8 | - | - | - | - | * | * | * | * | - | - | - | - | - | - | | | | | 1 | Screw for presser-adjusting |
| 3 | GW153-8 | * | * | * | * | * | * | * | * | * | * | * | * | * | * | | | | | 1 | Presser bar spring |
| 4 | GZ187-8 | * | * | * | * | * | * | * | * | * | * | * | * | * | * | | | | | 1 | Presser bar |
| 5 | GR465/4-8 | - | - | * | * | - | - | * | * | - | - | * | * | * | * | | | | | 1 | Presser foot component |
| | GR327/4-8 | * | * | - | * | - | - | * | * | - | - | * | * | * | * | | | | | 1 | Presser foot component |
| 6 | GS231-8 | * | * | * | * | * | * | * | * | * | * | * | * | * | * | | | | | 1 | Screw of presser foot |
| 7 | GR1000-8 | - | - | * | * | - | - | * | * | - | - | * | * | * | * | | | | | 1 | Finger guard |
| | GR1001-8 | - | - | - | * | - | - | * | * | - | - | * | * | * | * | | | | | 1 | Finger guard |
| 8 | GR322-8 | * | * | * | * | - | - | * | * | * | * | * | * | * | * | | | | | 1 | Spanner |
| | GR733-8 | - | - | - | * | * | * | * | * | - | - | * | * | * | * | | | | | 1 | Spanner |
| 9 | GX183-8 | - | - | * | * | * | * | * | * | * | * | * | * | * | * | | | | | 1 | Spanner pin |
| | GX166-8 | * | * | * | * | * | * | * | * | * | * | * | * | * | * | | | | | 1 | Spanner pin |
| 10 | GS232-8 | * | * | * | * | * | * | * | * | * | * | * | * | * | * | | | | | 1 | Spanner pin screw |
| 11 | GR324-8 | * | * | * | * | * | * | * | * | * | * | * | * | * | * | | | | | 1 | Presser bar bracket |
| | GR398-8 | - | - | * | * | * | * | * | * | * | * | * | * | * | * | | | | | 1 | Presser bar bracket |
| 12 | GS232-8 | * | * | * | * | * | * | * | * | * | * | * | * | * | * | | | | | 1 | Screw of bracket |
| 13 | GS235-8 | * | * | * | * | * | * | * | * | * | * | * | * | * | * | | | | | 1 | Screw of presser foot lever |
| 14 | GZ204-8 | - | - | * | * | * | * | * | * | - | * | * | * | * | * | | | | | 1 | Presser foot lever |
| | GZ217-8 | - | - | - | - | - | - | * | - | - | - | - | - | - | | | | | 1 | Presser foot lever | |
| 15 | GZ188-8 | * | * | * | * | - | - | * | * | - | - | * | * | * | * | | | | | 1 | Presser foot lever |
| 16 | GL154-8 | * | * | * | * | - | - | - | - | - | - | - | - | - | | | | | 1 | Presser bar nut | |
| 17 | GW154-8 | * | * | * | * | - | - | * | * | - | - | * | * | * | * | | | | | 1 | Presser bar spring |
| 18 | GO193-8 | * | * | - | - | - | - | - | - | - | - | - | - | - | | | | | 2 | Presser bar washer | |
| 19 | GZ190-8 | * | * | * | * | - | - | * | * | - | - | * | * | * | * | | | | | 1 | Rod of horizontal needle |
| | GZ206-8 | - | - | * | * | * | * | * | * | * | * | * | * | * | * | | | | | 1 | Rod of horizontal needle |
| 20 | GZ189-8 | * | * | * | * | - | - | * | * | - | - | * | * | * | * | | | | | 1 | Rod of presser foot |
| | GZ205-8 | - | - | * | * | * | * | * | * | * | * | * | * | * | * | | | | | 1 | Rod of presser foot |
| 21 | GX184-8 | - | - | * | * | * | * | * | * | * | * | * | * | * | * | | | | | 3 | Open-pin |
| 22 | GH191-8 | * | * | - | - | - | - | - | - | - | - | - | - | - | | | | | 1 | Connecting bar | |
| 23 | GR323-8 | * | * | * | * | - | - | - | - | - | - | - | - | - | | | | | 1 | Locating base of plate | |
| 24 | GS233-8 | * | * | * | * | - | - | - | - | - | - | - | - | - | | | | | 1 | Screw of connecting bar | |
| 25 | GR328/10-8 | * | * | * | * | * | * | * | * | * | * | * | * | * | * | | | | | 1 | Knee-control locating base component |
| 26 | GS236-8 | * | * | * | * | * | * | * | * | * | * | * | * | * | * | | | | | 1 | Knee-control lever base screw |

COMPONENTS OF NEEDLE DISTANCE, REVERSE STITCH



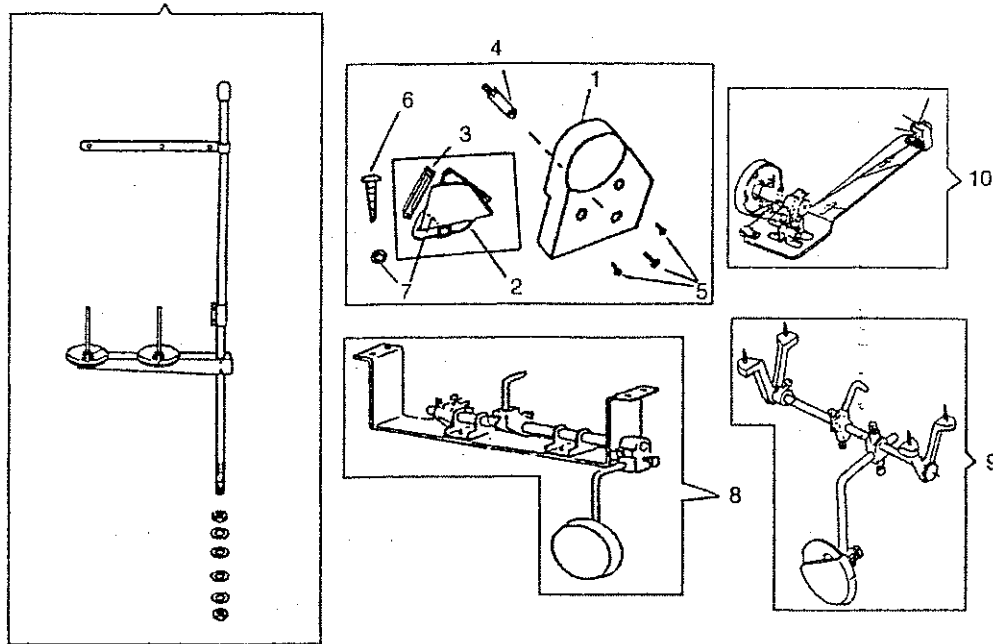
| | | | | | | | | | | | | | | | | | | |
|----|-----------|---|---|---|---|---|---|---|---|---|---|---|---|---|---|---|---|---|
| 1 | GS248-8 | * | * | * | * | - | - | * | * | * | * | * | * | * | * | * | 1 | Adjusting screw for needle distance |
| | GS413-8 | - | - | - | - | * | * | * | * | * | * | * | * | * | * | * | 1 | Adjusting screw for needle distance |
| 2 | GX177-8 | * | * | * | * | * | * | * | * | * | * | * | * | * | * | * | 1 | Needle distance base pin |
| 3 | GR342/2-8 | * | * | * | * | * | * | * | * | * | * | * | * | * | * | * | 1 | Crank component |
| 4 | GS142-8 | * | * | * | * | * | * | * | * | * | * | * | * | * | * | * | 1 | Crank screw |
| 5 | GW166-8 | * | * | * | * | * | * | * | * | * | * | * | * | * | * | * | 1 | Restoring extension spring of reversal stitch |
| 6 | GR339-8 | * | * | * | * | * | * | * | * | * | * | * | * | * | * | * | 1 | Spring hook |
| 7 | GS256-8 | * | * | * | * | * | * | * | * | * | * | * | * | * | * | * | 1 | Screw of spring hook |
| 8 | GX178-8 | * | * | * | * | - | - | - | * | * | * | * | * | * | * | * | 1 | Reversal stitch spanner shaft |
| 9 | GR338-8 | * | * | * | * | - | - | - | * | * | * | * | * | * | * | * | 1 | Spanner of reversal stitch |
| 10 | GS247-8 | * | * | * | * | - | - | - | * | * | * | * | * | * | * | * | 1 | Screw of spanner |
| 11 | GR735-8 | - | - | - | - | * | * | * | * | * | * | * | * | * | * | * | 1 | Spanner of reversal stitch |
| 12 | GZ249-8 | - | - | - | - | * | * | * | * | * | * | * | * | * | * | * | 1 | Reversal stitch spanner shaft |
| 13 | GS385-8 | - | - | - | - | * | * | * | * | * | * | * | * | * | * | * | 1 | Regulating screw of reversal stitch |
| 14 | GR736-8 | - | - | - | - | * | * | * | * | * | * | * | * | * | * | * | 1 | Regulating plate of reversal stitch |
| 15 | GS386-8 | - | - | - | - | * | * | * | * | * | * | * | * | * | * | * | 1 | Screw of regulating plate |
| 16 | GW200-8 | - | - | - | - | * | * | * | * | * | * | * | * | * | * | * | 1 | Regulating screw clamping spring |
| 17 | GR737-8 | - | - | - | - | * | * | * | * | * | * | * | * | * | * | * | 1 | Feed reverse regulating indicating-dial |
| 18 | GS42 | - | - | - | - | * | * | * | * | * | * | * | * | * | * | * | 2 | Screw of indicating-dial |
| 19 | GW167-8 | * | * | * | * | * | * | * | * | * | * | * | * | * | * | * | 1 | Feed regulating stud lock pin spring |
| 20 | GX179-8 | * | * | * | * | * | * | * | * | * | * | * | * | * | * | * | 1 | Feed regulating stud lock pin |
| 21 | GR399-8 | * | * | * | * | - | - | - | * | * | * | * | * | * | * | * | 1 | Feed regulating dial |
| | GR738-8 | - | - | - | - | * | * | * | * | * | * | * | * | * | * | * | 1 | Feed regulating dial |
| 22 | GR400-8 | * | * | * | * | - | - | - | * | * | * | * | * | * | * | * | 1 | Feed regulating indicating-dial |
| 23 | GO214-8 | * | * | * | * | - | - | - | * | * | * | * | * | * | * | * | 1 | Indicating dial washer |
| | GO380-8 | - | - | - | - | * | * | * | * | * | * | * | * | * | * | * | 1 | Feed regulating dial stud washer |
| 24 | GS249-8 | * | * | * | * | - | - | - | * | * | * | * | * | * | * | * | 1 | Feed regulating dial stud |
| | GS387-8 | * | * | * | * | - | - | - | * | * | * | * | * | * | * | * | 1 | Feed regulating dial stud |
| 25 | GO204-8 | * | * | * | * | - | - | - | - | - | - | - | - | - | - | - | 1 | Toothed nut |
| 26 | GS201-8 | * | * | * | * | - | - | - | - | - | - | - | - | - | - | - | 1 | Screw of toothed nut |

ACCESSORIES



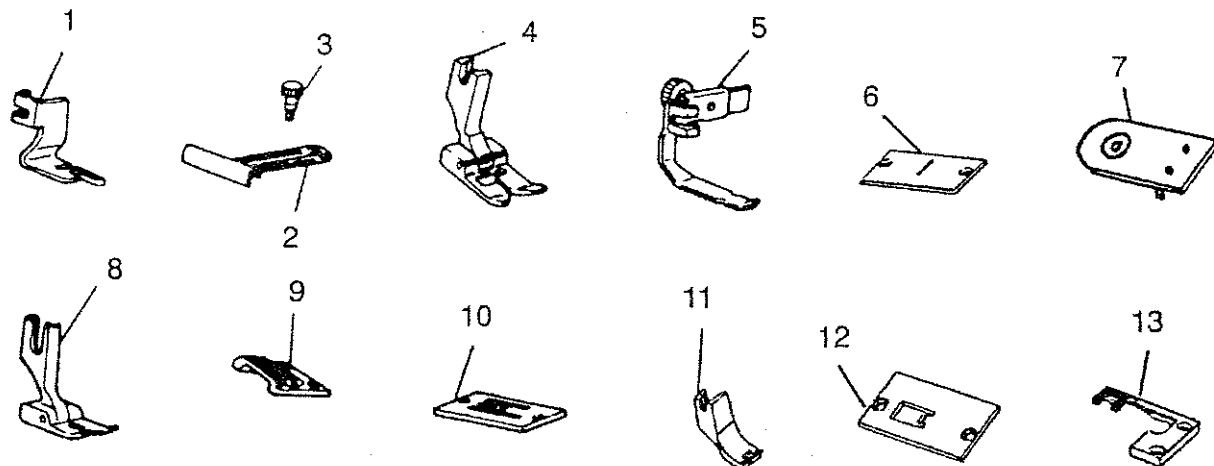
| No. | Part No. | | | | | | | | | | | | | | | | | | | Description |
|-----|-----------|---|---|---|---|---|---|---|---|---|---|---|---|---|---|---|---|---|----|-----------------------------------|
| 1 | GR351-8 | * | * | - | - | - | - | - | - | - | - | - | - | - | - | - | - | - | 1 | Oil reservoir |
| | GR413-8 | - | - | * | * | * | * | * | * | * | * | * | * | * | * | * | * | * | 1 | Oil reservoir |
| | GR404-8 | - | - | - | - | - | - | * | - | - | - | - | - | - | - | - | - | - | 1 | Oil reservoir |
| 2 | GF117-8 | * | * | * | * | * | * | * | * | * | * | * | * | * | * | * | * | * | 1 | Oiler |
| 3 | GF114-8 | * | * | * | * | * | * | * | * | * | * | * | * | * | * | * | * | * | 1 | Screwdriver(L) |
| 4 | GF115-8 | * | * | * | * | * | * | * | * | * | * | * | * | * | * | * | * | * | 1 | Screwdriver(M) |
| 5 | GF116-8 | * | * | * | * | * | * | * | * | * | * | * | * | * | * | * | * | * | 1 | Screwdriver(S) |
| 6 | GR788-8 | - | - | - | - | * | * | * | * | - | - | - | - | - | - | - | - | - | 1 | T-type open knife |
| 7 | GV130-8 | * | * | * | * | * | * | * | * | * | * | * | * | * | * | * | * | * | 1包 | Needle |
| 8 | GN132-8 | * | * | * | * | * | * | * | * | * | * | * | * | * | * | * | * | * | 3 | Bobbin |
| 9 | GBR211-8 | * | * | * | * | * | * | * | * | * | * | * | * | * | * | * | * | * | 1 | Machine head pole |
| 10 | GR1593 | * | * | * | * | * | * | * | * | * | * | * | * | * | * | * | * | * | 1 | Machine head hinge cushion rubber |
| 11 | GR696/2-8 | * | * | * | * | * | * | * | * | * | * | * | * | * | * | * | * | * | 1 | Machine head hinge complete |
| 12 | GBX141-8 | * | * | * | * | * | * | * | * | * | * | * | * | * | * | * | * | * | 8 | Oil reservoir nail |
| 13 | GBR204-8 | * | * | * | * | * | * | * | * | * | * | * | * | * | * | * | * | * | 2 | Machine head cushion |
| 14 | GBR205-8 | * | * | * | * | * | * | * | * | * | * | * | * | * | * | * | * | * | 2 | Machine head cushion |

BELT COVER, THREAD STAND, BOBBIN WINDER, KNEE LIFTER ASSEMBLY



| No. | Part No. | | | | | | | | | | | | | | | | | | | | Description |
|-----|-------------|---|---|---|---|---|---|---|---|---|---|---|---|---|---|--|--|--|--|--|-----------------------------|
| 1 | GR526-8 | - | - | * | * | * | * | * | * | * | * | * | * | * | * | | | | | | 1 Hand wheel cover |
| 2 | GK155-8 | - | - | * | * | * | * | * | * | * | * | * | * | * | * | | | | | | 1 Hand wheel back cover |
| 3 | GK156-8 | - | - | * | * | * | * | * | * | * | * | * | * | * | * | | | | | | 1 Hand wheel back cover cap |
| 4 | GS654-8 | - | - | * | * | * | * | * | * | * | * | * | * | * | * | | | | | | 1 Back cover pole |
| 5 | GS360-8 | - | - | * | * | * | * | * | * | * | * | * | * | * | * | | | | | | 3 Pole screw |
| 6 | GBS204-8 | - | - | * | * | * | * | * | * | * | * | * | * | * | * | | | | | | 2 Back cover wood screw |
| 7 | GBR210-8 | - | - | * | * | * | * | * | * | * | * | * | * | * | * | | | | | | 2 Wood screw washer |
| 8 | GR1315/18-8 | - | - | - | - | * | * | * | * | - | - | - | - | - | | | | | | | 1 Knee lifter complete |
| 9 | GR1110/18-8 | * | * | * | * | * | * | * | * | * | * | * | * | * | | | | | | | 1 Knee lifter complete |
| 10 | GR759/25-8 | * | * | * | * | * | * | * | * | * | * | * | * | * | | | | | | | 1 Thread-winding component |
| 11 | GR760/25-8 | * | * | * | * | * | * | * | * | * | * | * | * | * | | | | | | | 1 Thread stand |

OPTIONAL PARTS



| No. | Part No. | | | | | | | | | | | | | Description | |
|-----|-----------|---|---|---|---|---|---|---|---|---|---|---|---|-------------|-------------------------------|
| 1 | FM108-8 | - | - | * | * | * | * | * | * | * | * | * | * | 1 | Hemmer foot |
| 2 | FM105-8 | - | - | * | * | * | * | * | * | * | * | * | * | 1 | Hemmer edge guide |
| 3 | GS655-8 | - | - | * | * | * | * | * | * | * | * | * | * | 1 | Hwm edge guide screw |
| 4 | GM172-8 | - | - | - | - | * | * | * | * | * | * | * | * | 1 | Buttonhole foot |
| 5 | FM109/3-8 | - | - | * | * | * | * | * | * | * | * | * | * | 1 | Zipper foot complete |
| 6 | GM134-8 | - | - | * | * | * | * | * | * | * | * | * | * | 1 | Emboidery plate |
| 7 | GM134/4-8 | - | - | - | - | * | * | * | * | * | * | * | * | 1 | Emboidery plate |
| 8 | FM107/4-8 | - | - | * | * | * | * | * | * | * | * | * | * | 1 | Straight stitch foot complete |
| 9 | FM106-8 | - | - | * | * | * | * | * | * | * | * | * | * | 1 | Straight stitch feed dog |
| 10 | FM104-8 | - | - | * | * | * | * | * | * | * | * | * | * | 1 | Straight stitch throat plate |
| 11 | FM103-8 | - | - | * | * | * | * | * | * | * | * | * | * | 1 | Hem stem presser foot |
| 12 | FM100-8 | - | - | * | * | * | * | * | * | * | * | * | * | 1 | Hem stem needle plate |
| 13 | FM101-8 | - | - | * | * | * | * | * | * | * | * | * | * | 1 | Hem stem feed dog |

Consolidated Sewing Machine Corp.
Website: www.consew.com

MAIN office

131 W. 25th Street
New York, NY 10001
Tel: 212-741-7788
Fax: 212-741-7787
e-mail: consew@att.net

Miami, FL

4013 N.W. 79th Avenue
Miami, FL 33166
Tel: 305-471-0200
Fax: 305-471-0243
e-mail: miamisales@consew.com

Los Angeles, CA

2320 South Hill Street
Los Angeles, CA 90007
Tel: 213-745-8844
Fax: 213-745-8855
e-mail: lasales@consew.com



CONSOLIDATED SEWING MACHINE CORP.

└ INDUSTRIAL SEWING & CUTTING EQUIPMENT

Models

CN-2033R

CN-2043R

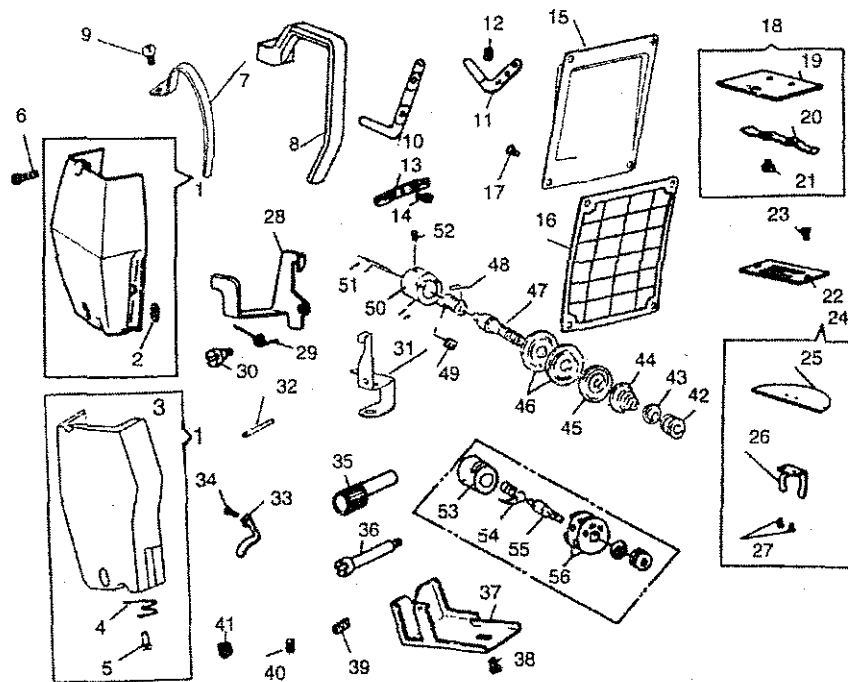
CN-2053R

Parts Book

CONTENTS

| | |
|---|-----------|
| HOUSING COMPONENTS..... | 1 |
| BOBBIN WINDER, UPPER COVER COMPONENTS..... | 3 |
| EMBROIDERY STITCH COMPONENTS..... | 4 |
| THREAD-HOOK COMPONENTS..... | 5 |
| THREAD-HOOK COMPONENTS..... | 6 |
| MATERIAL FEEDING COMPONENTS..... | 7 |
| DIFFERENTIAL, LUBRICATIONCOMPONENTS..... | 8 |
| COMPONENTS OF SWAYING NEEDLE..... | 9 |
| COMPONENTS OF SWAYING NEEDLE..... | 10 |
| PRESSER FOOT COMPONENTS..... | 11 |
| COMPONENTS OF NEEDLE DISTANCE, REVERSE STITCH..... | 12 |
| ACCESSORIES..... | 13 |
| BELT COVER, THREAD STAND, BOBBIN WINDER, KNEE LIFTER ASSEMBLY..... | 14 |
| OPTIONAL PARTS..... | 15 |

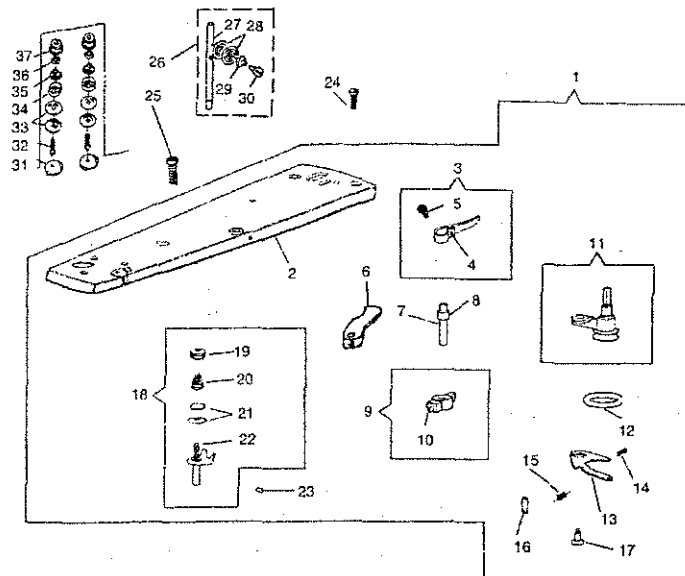
COMPONENTS OF HOUSING



| No. | Part No. | | | | | | | | | | | | | | | | | | | | Description | |
|-----|-----------|---|---|---|---|---|---|---|---|---|---|---|---|---|---|---|---|---|---|---|-------------|---------------------------------|
| 1 | GR245/3-8 | * | * | - | - | - | - | - | - | - | - | - | - | - | - | - | - | - | - | - | 1 | Panel components |
| | GR406/3-8 | - | - | * | * | - | - | - | - | * | * | * | * | * | * | * | * | * | * | * | 1 | Panel components |
| 2 | GR232-8 | * | * | * | * | * | * | * | * | * | * | * | * | * | * | * | * | * | * | * | 1 | Panel thread hook |
| 3 | GK158-8 | * | * | * | * | * | * | * | * | * | * | * | * | * | * | * | * | * | * | * | 1 | Panel |
| 4 | GW242-8 | - | - | - | - | * | * | * | * | * | * | * | * | * | * | * | * | * | * | * | 1 | Panel thread hook |
| 5 | GZ374-8 | - | - | - | - | * | * | * | * | * | * | * | * | * | * | * | * | * | * | * | 1 | Panel thread hook needle |
| 6 | GS132-8 | * | * | * | * | * | * | * | * | * | * | * | * | * | * | * | * | * | * | * | 2 | Panel screw |
| | GS375-8 | - | - | - | - | * | * | * | * | * | * | * | * | * | * | * | * | * | * | * | 2 | Panel screw |
| 7 | GK134-8 | * | - | - | - | - | - | - | - | - | - | - | - | - | - | - | - | - | - | - | 1 | Stitch-staff shield |
| | GK146-8 | - | - | * | * | - | - | - | - | * | * | * | * | * | * | * | * | * | * | * | 1 | Stitch-staff shield |
| | GK140-8 | - | * | - | - | - | - | - | - | - | - | - | - | - | - | - | - | - | - | * | 1 | Stitch-staff shield |
| 8 | GK161-8 | - | - | - | - | * | * | * | * | * | * | * | * | * | * | * | * | * | * | * | 1 | Stitch -staff shield |
| 9 | GS223-8 | * | * | * | * | * | * | * | * | * | * | * | * | * | * | * | * | * | * | * | 1 | Stitch-staff shield screw |
| | GS379-8 | - | - | - | - | * | * | * | * | * | * | * | * | * | * | * | * | * | * | * | 1 | Stitch-staff shield screw |
| 10 | GR412-8 | - | - | - | - | * | * | * | * | * | * | * | * | * | * | * | * | * | * | * | 1 | Double hole thread-running rack |
| 11 | GR233-8 | * | - | * | - | * | * | * | * | * | * | * | * | * | * | * | * | * | * | * | 1 | 3-eyelet hole thread hook |
| | GR364-8 | - | * | - | - | * | * | * | * | * | * | * | * | * | * | * | * | * | * | * | 1 | 2-eyelet hole thread hook |
| 12 | GS139-8 | * | * | * | * | * | * | * | * | * | * | * | * | * | * | * | * | * | * | * | 1 | 3-eyelet hole thread hook screw |
| 13 | GR231-8 | * | * | * | * | * | * | * | * | * | * | * | * | * | * | * | * | * | * | * | 1 | Thread-running rack |
| 14 | GS223-8 | * | * | * | * | * | * | * | * | * | * | * | * | * | * | * | * | * | * | * | 1 | Thread-running rack screw |
| 15 | GK133-8 | * | * | - | - | - | - | - | - | - | - | - | - | - | - | - | - | - | - | - | 1 | Back cover |
| | GK145-8 | - | - | * | * | - | - | - | - | * | * | * | * | * | * | * | * | * | * | * | 1 | Back cover |
| 16 | GK160-8 | - | - | * | * | - | - | - | - | * | * | * | * | * | * | * | * | * | * | * | 1 | Back cover |
| 17 | GS132-8 | * | * | * | * | * | * | * | * | * | * | * | * | * | * | * | * | * | * | * | 4 | Back cover screw |
| 18 | GR476/4-8 | * | * | * | * | * | * | * | * | * | * | * | * | * | * | * | * | * | * | * | 1 | Pushing plate components |
| 19 | GM132-8 | * | * | * | * | * | * | * | * | * | * | * | * | * | * | * | * | * | * | * | 1 | Pushing plate |
| 20 | GW131-8 | * | * | * | * | * | * | * | * | * | * | * | * | * | * | * | * | * | * | * | 1 | Pushing plate spring |
| 21 | GS133-8 | * | * | * | * | * | * | * | * | * | * | * | * | * | * | * | * | * | * | * | 2 | Pushing plate spring screw |
| 22 | GM131-8 | * | * | - | * | - | - | * | * | - | - | - | - | - | - | - | - | - | - | - | 1 | Needle plate |
| | GM156-8 | - | - | * | - | * | - | - | - | * | * | * | * | * | * | * | * | * | * | * | 1 | Needle plate |
| | GM205-8 | - | - | * | - | * | - | - | - | * | * | * | * | * | * | * | * | * | * | * | 1 | Needle plate |
| 23 | GS338-8 | * | * | * | * | * | * | * | * | * | * | * | * | * | * | * | * | * | * | * | 2 | Needle plate screw |
| 24 | GR477/4-8 | * | * | * | * | * | * | * | * | * | * | * | * | * | * | * | * | * | * | * | 1 | Inner cover plate components |
| 25 | GM130-8 | * | * | * | * | * | * | * | * | * | * | * | * | * | * | * | * | * | * | * | 1 | Inner cover plate |
| 26 | GW130-8 | * | * | * | * | * | * | * | * | * | * | * | * | * | * | * | * | * | * | * | 1 | Inner cover plate spring |
| 27 | GS255-8 | * | * | * | * | * | * | * | * | * | * | * | * | * | * | * | * | * | * | * | 2 | Inner cover plate screw |
| 28 | GR241-8 | * | * | - | - | - | - | - | - | - | - | - | - | - | - | - | - | - | - | - | 1 | Thread-releasing lever |
| | GR373-8 | - | - | * | * | * | * | * | * | * | * | * | * | * | * | * | * | * | * | * | 1 | Thread-releasing lever |
| 29 | GW135-8 | * | * | * | * | * | * | * | * | * | * | * | * | * | * | * | * | * | * | * | 1 | Thread-teleasing lever spring |
| 30 | GS148-8 | * | * | * | * | * | * | * | * | * | * | * | * | * | * | * | * | * | * | * | 1 | Thread-teleasing lever screw |
| 31 | GR397-8 | - | - | * | * | * | * | * | * | * | * | * | * | * | * | * | * | * | * | * | 1 | Locating base of presser |
| 32 | GX180-8 | - | - | * | * | * | * | * | * | * | * | * | * | * | * | * | * | * | * | * | 1 | Lower thread-running hook |
| 33 | GR230-8 | * | * | - | - | - | - | - | - | - | - | - | - | - | - | - | - | - | - | - | 1 | Lower thread-running hook |
| 34 | GS137-8 | * | * | - | - | - | - | - | - | - | - | - | - | - | - | - | - | - | - | - | 1 | Lower thread-running screw |
| 35 | GT150-8 | * | * | * | * | * | * | * | * | * | * | * | * | * | * | * | * | * | * | * | 1 | Linear lock eccentric shield |

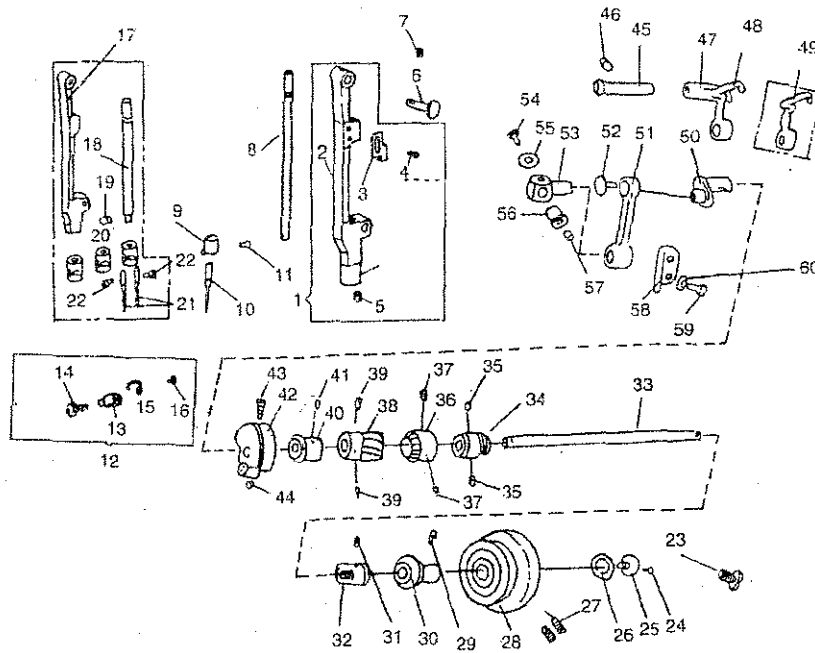
| No. Part No. | | | | | | | | | | | | | | Description | |
|--------------|-----------|---|---|---|---|---|---|---|---|---|---|---|---|-------------|------------------------------------|
| 36 | GS264-8 | * | * | * | * | * | * | * | * | * | * | * | * | 1 | Linear lock eccentric shield screw |
| 37 | GK130-8 | * | * | * | * | * | * | * | * | * | * | * | * | 1 | Rotating shuttle shield |
| 38 | GS132-8 | * | * | * | * | * | * | * | * | * | * | * | * | 1 | Rotating shuttle shield screw |
| 39 | GX191-8 | * | * | * | * | * | * | * | * | * | * | * | * | 1 | Eccentric shield stress ploe |
| 40 | GW179-8 | * | * | * | * | * | * | * | * | * | * | * | * | 1 | Eccentric shield stress spring |
| 41 | GS288-8 | * | * | * | * | * | * | * | * | * | * | * | * | 1 | Stress spring screw |
| 42 | GL130-8 | * | * | * | * | - | - | * | * | * | * | * | * | 1 | Thread-holding nut |
| | GL176-8 | - | - | - | - | * | * | * | * | - | - | - | - | 1 | Thread-holding nut |
| 43 | GR239-8 | * | * | * | * | * | * | * | * | * | * | * | * | 1 | Thread-holding brake |
| 44 | GW133-8 | * | - | * | * | - | - | * | * | * | * | - | - | 1 | Thread-holding spring |
| | GW208-8 | - | - | - | - | * | * | * | * | - | - | - | - | 1 | Thread-holding spring |
| 45 | GR238-8 | * | - | * | * | * | * | * | * | * | * | * | - | 1 | Thread-releasing plate |
| 46 | GR237-8 | * | - | * | * | * | * | * | * | * | * | * | - | 2 | Thread-holding plate |
| 47 | GS145-8 | * | - | * | * | * | * | * | * | * | * | * | - | 1 | Thread-holding screw |
| 48 | GW134-8 | * | - | * | * | * | * | * | * | * | * | * | - | 1 | Stitch spring |
| 49 | GS146-8 | * | - | * | * | * | * | * | * | * | * | * | - | 1 | Thread-holding fixing screw |
| 50 | GR372-8 | * | - | * | * | * | * | * | * | * | * | * | - | 1 | Stitch-spring adjusting base |
| 51 | GX132-8 | * | * | * | * | * | * | * | * | * | * | * | - | 1 | Thread-releasing needle |
| 52 | GS147-8 | * | * | * | * | * | * | * | * | * | * | * | * | 1 | Thread-hold fixing screw |
| 53 | GR370-8 | - | * | - | - | - | - | - | - | - | - | - | * | 1 | Stitch spring adjuster |
| 54 | GW170-8 | - | * | - | - | - | - | - | - | - | - | - | * | 1 | Stitch spring |
| 55 | GS261-8 | - | * | - | - | - | - | - | - | - | - | - | * | 1 | Stitch spring screw |
| 56 | GR367/3-8 | - | * | - | - | - | - | - | - | - | - | - | * | 2 | Stitch-guiding part |

BOBBIN WINDER, UPPER COVER COMPONENTS



| No. | Part No. | | | | | | | | | | | | | | | | | | Description |
|-----|------------|---|---|---|---|---|---|---|---|---|---|---|---|---|---|---|---|---|---------------------------------------|
| 1 | GR483/27-8 | - | - | * | * | - | - | * | * | - | - | * | * | - | - | * | * | 1 | Upper cover components |
| | GR781/28-8 | - | - | * | * | - | - | * | * | - | - | * | * | - | - | * | * | 1 | Upper cover components |
| 2 | GK132-8 | * | - | - | - | - | - | - | - | - | - | - | - | - | - | - | - | 1 | Upper cover |
| | GK141-8 | - | * | - | - | - | - | - | - | - | - | - | - | - | - | - | - | 1 | Upper cover |
| | GK148-8 | - | - | * | * | - | - | - | - | - | - | - | - | - | - | - | - | 1 | Upper cover |
| | GK159-8 | - | - | - | - | * | * | * | * | - | - | - | - | - | - | - | - | 1 | Upper cover |
| | GK147-8 | - | - | - | - | - | - | - | - | * | * | * | * | - | - | - | - | 1 | Upper cover |
| 3 | GR480/2-8 | - | - | * | * | - | - | - | - | * | * | * | * | - | - | - | - | 1 | Volume adjusting plate components |
| 4 | GR377-8 | - | - | * | * | - | - | - | - | * | * | * | * | - | - | - | - | 1 | Volume adjusting plate |
| 5 | GS273-8 | - | - | * | * | - | - | - | - | * | * | * | * | - | - | - | - | 1 | Volume adjusting plate screw |
| 6 | GR726-8 | - | - | - | - | * | * | * | * | - | - | - | - | - | - | - | - | 1 | Volume adjusting plate |
| 7 | GZ202-8 | - | - | * | * | - | - | * | * | * | * | - | - | - | - | - | - | 1 | Volume adjusting spindle |
| | GZ246-8 | - | - | * | * | - | - | * | * | * | * | - | - | - | - | - | - | 1 | Volume adjusting spindle |
| 8 | GO218-8 | - | - | * | * | * | * | * | * | * | * | * | * | - | - | - | - | 1 | Washer |
| 9 | GR481/2-8 | - | - | * | * | * | * | * | * | * | * | * | * | - | - | - | - | 1 | Locating block |
| 10 | GS222-8 | - | - | * | * | * | * | * | * | * | * | * | * | - | - | - | - | 1 | Locating block set screw |
| 11 | GR405/8-8 | - | - | * | * | - | - | - | - | * | * | * | * | - | - | - | - | 1 | Axis components |
| | GR780/9-8 | - | - | - | - | * | * | * | * | - | - | - | - | - | - | - | - | 1 | Axis components |
| 12 | GO207-8 | - | - | * | * | - | - | - | - | * | * | * | * | - | - | - | - | 1 | Rubber circle |
| | GO284-8 | - | - | - | - | * | * | * | * | - | - | - | - | - | - | - | - | 1 | Rubber circle |
| 13 | GR375-8 | - | - | * | * | * | * | * | * | * | * | * | * | - | - | - | - | 1 | Thread-winding swaying handle |
| 14 | GW173-8 | - | - | * | * | * | * | * | * | * | * | * | * | - | - | - | - | 1 | Swaying handle presser spring |
| 15 | GW174-8 | - | - | * | * | * | * | * | * | * | * | * | * | - | - | - | - | 1 | Swaying handle presser spring |
| 16 | GX182-8 | - | - | * | * | * | * | * | * | * | * | * | * | - | - | - | - | 1 | Extension spring pin |
| 17 | GS272-8 | - | - | * | * | - | - | * | * | * | * | * | * | - | - | - | - | 1 | Crank screw |
| | GX218-8 | - | - | * | * | - | - | * | * | * | * | * | * | - | - | - | - | 1 | Crank screw |
| 18 | GR482/6-8 | - | - | * | * | - | - | * | * | * | * | * | * | - | - | - | - | 1 | Upper thread-running plate |
| | GR778/6-8 | - | - | - | - | * | * | * | * | - | - | - | - | - | - | - | - | 1 | Upper thread-running plate |
| 19 | GL162-8 | - | - | * | * | - | - | - | - | * | * | * | * | - | - | - | - | 1 | Upper thread-running plate nut |
| | GL175-8 | - | - | - | - | * | * | * | * | - | - | - | - | - | - | - | - | 1 | Upper thread-running plate nut |
| 20 | GW175-8 | - | - | * | * | * | * | * | * | * | * | * | * | - | - | - | - | 1 | Upper thread-running plate spring |
| 21 | GR379-8 | - | - | * | * | * | * | * | * | * | * | * | * | - | - | - | - | 2 | Upper thread-running pole |
| 22 | GR403/2-8 | - | - | * | * | * | * | * | * | * | * | * | * | - | - | - | - | 1 | Upper thread-running plate components |
| 23 | GS275-8 | - | - | * | * | * | * | * | * | * | * | * | * | - | - | - | - | 1 | Fixing screw |
| 24 | GS142-8 | - | - | * | * | - | - | * | * | * | * | * | * | - | - | - | - | 1 | Upper cover back screw |
| 25 | GS140-8 | - | - | * | * | - | - | * | * | * | * | * | * | - | - | - | - | 1 | Upper cover set screw |
| | GS376-8 | - | - | - | - | * | * | * | * | - | - | - | - | - | - | - | - | 2 | Upper cover screw |
| 26 | GR234/5-8 | * | - | - | - | - | - | - | - | - | - | - | - | - | - | - | - | 1 | Thread-running components |
| 27 | GR235-8 | * | - | - | - | - | - | - | - | - | - | - | - | - | - | - | - | 1 | Thread-running pole |
| | GR365-8 | - | * | - | - | - | - | - | - | - | - | - | - | - | - | - | - | 1 | Thread-running pole |
| 28 | GR236-8 | * | - | - | - | - | - | - | - | - | - | - | - | - | - | - | - | 2 | Thread-running plate |
| 29 | GW132-8 | * | - | - | - | - | - | - | - | - | - | - | - | - | - | - | - | 1 | Thread-running spring |
| 30 | GS141-8 | * | - | - | - | - | - | - | - | - | - | - | - | - | - | - | - | 1 | Thread-running holding screw |
| 31 | GL160-8 | * | - | - | - | - | - | - | - | - | - | - | - | - | - | - | - | 2 | Thread-holding nut |
| 32 | GS260-8 | - | * | - | - | - | - | - | - | - | - | - | - | - | - | - | - | 2 | Thread-holding screw |
| 33 | GR237-8 | - | * | - | - | - | - | - | - | - | - | - | - | - | - | - | - | 4 | Thread-holding plate |
| 34 | GR369-8 | - | * | - | - | - | - | - | - | - | - | - | - | - | - | - | - | 2 | Thread-holding spring |
| 35 | GW133-8 | - | * | - | - | - | - | - | - | - | - | - | - | - | - | - | - | 2 | Thread-holding spring |
| 36 | GR239-8 | - | * | - | - | - | - | - | - | - | - | - | - | - | - | - | - | 2 | Thread-holding brake |
| 37 | GL160-8 | - | * | - | - | - | - | - | - | - | - | - | - | - | - | - | - | 2 | Thread-holding nut |

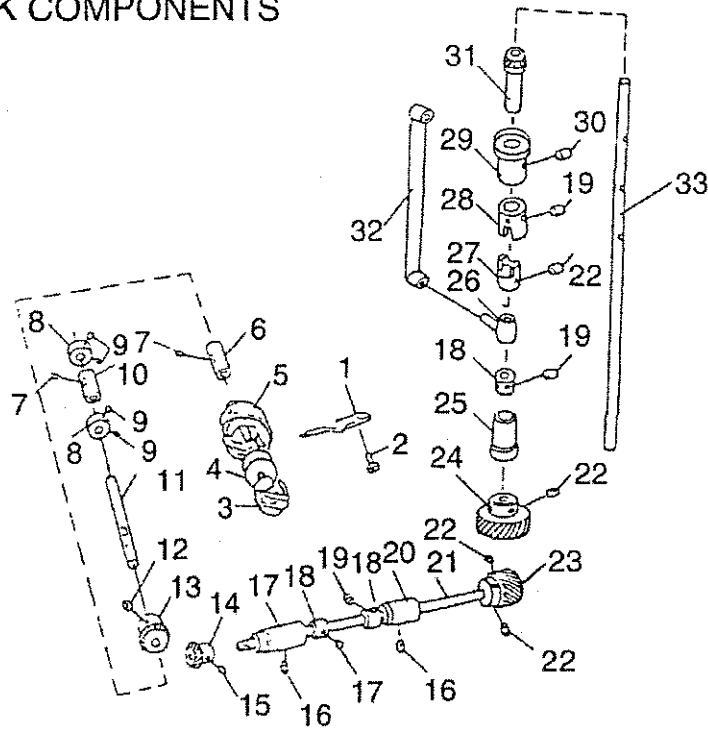
EMBROIDERY STITCH COMPONENTS



| No. | Part No. | * | * | * | * | * | * | * | * | * | * | * | * | * | * | * | * | * | Description |
|-----|-----------|---|---|---|---|---|---|---|---|---|---|---|---|---|---|---|---|---|---|
| 1 | GR485/5-8 | * | - | * | * | * | * | * | * | * | * | * | * | * | * | * | * | 1 | Swaying rack of needle staff components |
| 2 | GR251-8 | * | * | * | * | * | * | * | * | * | * | * | * | * | * | * | * | 1 | Swaying rack of needle staff |
| 3 | GR255-8 | * | * | * | * | * | * | * | * | * | * | * | * | * | * | * | * | 1 | Locating plate of needle staff |
| 4 | GS163-8 | * | * | * | * | * | * | * | * | * | * | * | * | * | * | * | * | 2 | Locating plate screw |
| 5 | GS158-8 | * | * | * | * | * | * | * | * | * | * | * | * | * | * | * | * | 1 | Eccentric pin screw of needle staff |
| 6 | GX143-8 | * | * | * | * | * | * | * | * | * | * | * | * | * | * | * | * | 1 | Pin of swaying rack |
| 7 | GS164-8 | * | * | * | * | * | * | * | * | * | * | * | * | * | * | * | * | 1 | Pin of swaying rack screw |
| 8 | GZ223-8 | - | - | * | * | * | * | * | * | * | * | * | * | * | * | * | * | 1 | Needle bar |
| | GZ140-8 | * | - | * | * | * | * | * | * | * | * | * | * | * | * | * | * | 1 | Needle bar |
| 9 | GR252-8 | * | - | * | * | * | * | * | * | * | * | * | * | * | * | * | * | 1 | Thread-hook of needle staff |
| 10 | GV130-8 | * | - | * | * | * | * | * | * | * | * | * | * | * | * | * | * | 1 | Needle |
| 11 | GS159-8 | * | - | * | * | * | * | * | * | * | * | * | * | * | * | * | * | 1 | Locking screw of needle |
| 12 | GR484/4-8 | - | - | * | * | * | * | * | * | * | * | * | * | * | * | * | * | 1 | Needle clamp components |
| 13 | GR467-8 | - | - | * | * | * | * | * | * | * | * | * | * | * | * | * | * | 1 | Needle clamp |
| 14 | GS290-8 | - | - | * | * | * | * | * | * | * | * | * | * | * | * | * | * | 1 | Thread-hook screw |
| 15 | GR466-8 | - | - | * | * | * | * | * | * | * | * | * | * | * | * | * | * | 1 | Thread-hook of needle staff |
| 16 | GS289-8 | - | - | * | * | * | * | * | * | * | * | * | * | * | * | * | * | 1 | Needle lock screw |
| 17 | GR361-8 | - | - | * | * | * | * | * | * | * | * | * | * | * | * | * | * | 1 | Needle bar swaying rack |
| 18 | GZ200-8 | - | - | * | * | * | * | * | * | * | * | * | * | * | * | * | * | 1 | Double needle needle bar |
| 19 | GS202-8 | - | - | * | * | * | * | * | * | * | * | * | * | * | * | * | * | 1 | Double needle clamber lock screw |
| 20 | GR360-8 | - | - | * | * | * | * | * | * | * | * | * | * | * | * | * | * | 1 | Double needle clamber A |
| | GR360B-8 | - | - | * | * | * | * | * | * | * | * | * | * | * | * | * | * | 1 | Double needle clamber B |
| | GR360C-8 | - | - | * | * | * | * | * | * | * | * | * | * | * | * | * | * | 1 | Double needle clamber C |
| 21 | GV130-8 | - | - | * | * | * | * | * | * | * | * | * | * | * | * | * | * | 2 | Needle |
| 22 | GS262-8 | - | - | * | * | * | * | * | * | * | * | * | * | * | * | * | * | 2 | Needle lock screw |
| 23 | GS254-8 | * | * | * | * | * | * | * | * | * | * | * | * | * | * | * | * | 1 | Clamping screw of upper wheel |
| 24 | GS279-8 | - | - | * | * | * | * | * | * | * | * | * | * | * | * | * | * | 1 | Clutch little screw |
| 25 | GS278-8 | - | - | * | * | * | * | * | * | * | * | * | * | * | * | * | * | 1 | Clutch screw |
| | GP151-8 | - | - | * | * | * | * | * | * | * | * | * | * | * | * | * | * | 1 | Clutch wheel |
| 26 | GR380-8 | - | - | * | * | * | * | * | * | * | * | * | * | * | * | * | * | 1 | Clutch washer |
| 27 | GS200-8 | * | * | * | * | * | * | * | * | * | * | * | * | * | * | * | * | 2 | Upper wheel lock screw |
| 28 | GP142-8 | - | - | * | * | * | * | * | * | * | * | * | * | * | * | * | * | 1 | Upper wheel |
| | GP130-8 | * | * | * | * | * | * | * | * | * | * | * | * | * | * | * | * | 1 | Upper wheel |
| 29 | GS280-8 | - | - | * | * | * | * | * | * | * | * | * | * | * | * | * | * | 1 | Sieve screw |
| 30 | GO209-8 | - | - | * | * | * | * | * | * | * | * | * | * | * | * | * | * | 1 | Sleeve of upper wheel |
| 31 | GS277-8 | - | - | * | * | * | * | * | * | * | * | * | * | * | * | * | * | 1 | Back sleeve of upper shaft |
| | GS173-8 | * | * | * | * | * | * | * | * | * | * | * | * | * | * | * | * | 1 | Fastening screw of back sleeve |
| 32 | GO208-8 | - | - | * | * | * | * | * | * | * | * | * | * | * | * | * | * | 1 | Back sleeve of upper shaft |
| | GO144-8 | * | * | * | * | * | * | * | * | * | * | * | * | * | * | * | * | 1 | Back sleeve of upper shaft |
| 33 | GZ141-8 | * | * | * | * | * | * | * | * | * | * | * | * | * | * | * | * | 1 | Upper shaft |
| | GZ207-8 | - | - | * | * | * | * | * | * | * | * | * | * | * | * | * | * | 1 | Upper shaft |
| | GZ203-8 | - | - | * | * | * | * | * | * | * | * | * | * | * | * | * | * | 1 | Upper shaft |
| | GZ248-8 | - | - | * | * | * | * | * | * | * | * | * | * | * | * | * | * | 1 | Upper shaft |
| 34 | GT153-8 | * | * | * | * | * | * | * | * | * | * | * | * | * | * | * | * | 1 | Cam of cloth-feeding |
| 35 | GS251-8 | * | * | * | * | * | * | * | * | * | * | * | * | * | * | * | * | 2 | Cam of cloth-feeding screw |

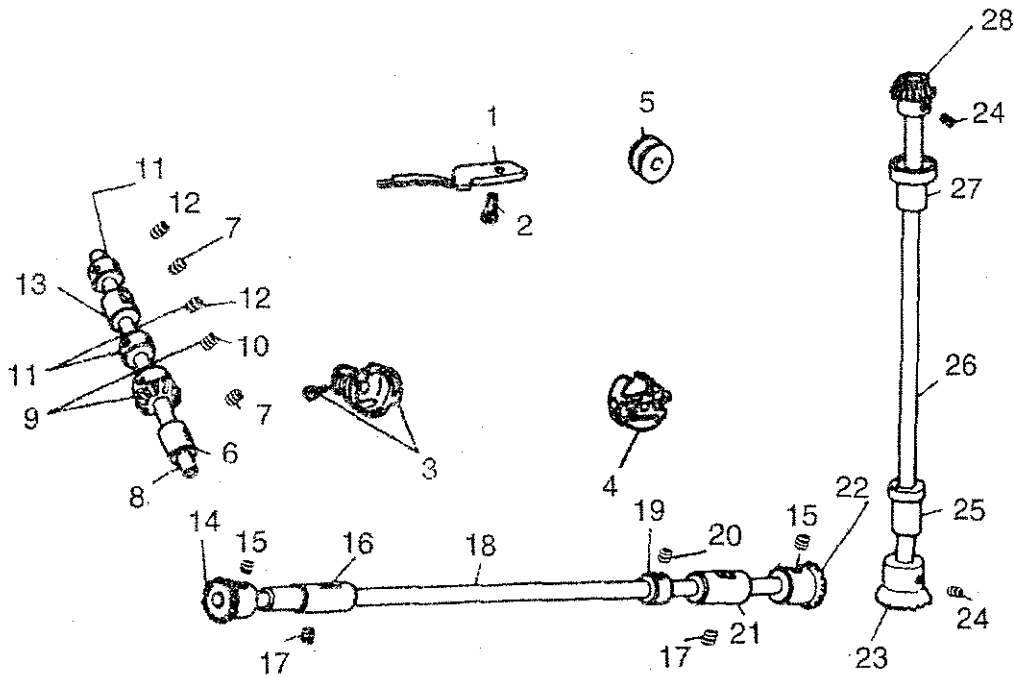
| No. Part No. | | | | | | | | | | | | Description | | | |
|--------------|---------|---|---|---|---|---|---|---|---|---|---|-------------|---|---|---------------------------------------|
| 36 | GC131-8 | * | * | * | * | * | * | * | * | * | * | * | * | 1 | Arc-cone gear (upper shaft) |
| 37 | GS167-8 | * | * | * | * | * | * | * | * | * | * | * | * | 2 | Screw of are-cone gear |
| 38 | GC130-8 | * | * | * | * | * | * | * | * | * | * | * | * | 1 | Spiral of gear of upper shaft |
| | GC148-8 | - | - | - | - | - | - | - | - | * | * | * | * | 1 | Spiral of gear of upper shaft |
| 39 | GS170-8 | * | * | * | * | * | * | * | * | * | * | * | * | 1 | Screw of spiral gear |
| 40 | GO143-8 | * | * | * | * | * | * | * | * | * | * | * | * | 1 | Front sleeve of upper shaft |
| 41 | GS169-8 | * | * | * | * | * | * | * | * | * | * | * | * | 1 | Fastening screw of front sleeve |
| 42 | GH145-8 | * | * | * | * | * | * | * | * | * | * | * | * | 1 | Stitch crank |
| 43 | GS168-8 | * | * | * | * | * | * | * | * | * | * | * | * | 1 | Stitch crank screw |
| 44 | GS404-8 | * | * | * | * | * | * | * | * | * | * | * | * | 2 | Crank fastening screw |
| 45 | GX144-8 | * | * | * | * | * | * | * | * | * | * | * | * | 1 | Pin of swaying staff |
| 46 | GS147-8 | * | * | * | * | * | * | * | * | * | * | * | * | 1 | Screw of swaying staff |
| 47 | GH141-8 | * | * | * | * | * | * | * | * | * | * | * | * | 1 | Stitch-swaying staff |
| 48 | GH143-8 | * | - | * | * | * | * | * | * | * | * | * | * | 1 | Stitch-staff |
| 49 | GH200-8 | - | * | - | - | - | - | - | - | - | - | - | * | 1 | Stitch-staff |
| 50 | GH144-8 | * | * | * | * | * | * | * | * | * | * | * | * | 1 | Crank of needle staff |
| 51 | GH140-8 | * | * | * | * | * | * | * | * | * | * | * | * | 1 | Small connecting staff |
| 52 | GS166-8 | * | * | * | * | * | * | * | * | * | * | * | * | 1 | Toothed screw |
| 53 | GR253-8 | * | * | * | * | * | * | * | * | * | * | * | * | 1 | Connecting shaft |
| 54 | GS161-8 | * | * | * | * | * | * | * | * | * | * | * | * | 1 | Pin-screw of needle |
| 55 | GO141-8 | * | * | * | * | * | * | * | * | * | * | * | * | 1 | Pin-washer of connecting shaft |
| 56 | GZ142-8 | * | * | * | * | * | * | * | * | * | * | * | * | 1 | Pin of connecting shaft |
| 57 | GS160-8 | * | * | * | * | * | * | * | * | * | * | * | * | 1 | Pin-locking screw of connecting shaft |
| 58 | GK254-8 | * | * | * | * | * | * | * | * | * | * | * | * | 1 | Guide of small of connecting staff |
| 59 | GS132-8 | * | * | * | * | * | * | * | * | * | * | * | * | 2 | Screw of guide |
| 60 | GO217-8 | * | * | * | * | * | * | * | * | * | * | * | * | 2 | Guide washer |

THREAD-HOOK COMPONENTS



| No. | Part No. | | | | | | | | | | | | | | | | | Description |
|-----|----------|---|---|---|---|---|---|---|---|---|---|---|---|---|---|---|---|---|
| 1 | GR278-8 | * | * | - | * | - | - | * | * | - | - | - | - | - | - | - | - | 1 Locating plate of rotating shuttle |
| 2 | GS256-8 | * | * | - | * | - | - | * | * | - | - | - | - | - | - | - | - | 1 Screw of locating plate |
| 3 | GM131-8 | * | * | - | * | - | - | * | * | - | - | - | - | - | - | - | - | 1 Shuttle |
| 4 | GN135-8 | * | * | - | * | - | - | * | * | - | - | - | - | - | - | - | - | 1 Shuttle core |
| 5 | GN130-8 | * | * | - | * | - | - | * | * | - | - | - | - | - | - | - | - | 1 Rotating shuttle |
| 6 | GO163-8 | * | * | - | * | - | - | * | * | - | - | - | - | - | - | - | - | 1 Front sleeve of rotating shuttle shaft |
| 7 | GS201-8 | * | * | - | * | - | - | * | * | - | - | - | - | - | - | - | - | 2 Screw of front sleeve |
| 8 | G0164-8 | * | * | - | * | - | - | * | * | - | - | - | - | - | - | - | - | 2 Retainer of rotating shuttle shaft |
| 9 | GS202-8 | * | * | - | * | - | - | * | * | - | - | - | - | - | - | - | - | 4 Retainer screw |
| 10 | GO165-8 | * | * | - | * | - | - | * | * | - | - | - | - | - | - | - | - | 1 Back sleeve of rotating shuttle shaft |
| 11 | GZ164-8 | * | * | - | * | - | - | * | * | - | - | - | - | - | - | - | - | 1 Rotating shuttle shaft |
| 12 | GS167-8 | * | * | - | * | - | - | * | * | - | - | - | - | - | - | - | - | 2 Screw arc-cone gear |
| 13 | GC141-8 | * | * | - | * | - | - | * | * | - | - | - | - | - | - | - | - | 1 Arc-cone gear of rotating shuttle shaft |
| 14 | GC140-8 | * | * | - | * | - | - | * | * | - | - | - | - | - | - | - | - | 1 Arc-cone gear of lower shaft |
| 15 | GS199-8 | * | * | - | * | - | - | * | * | - | - | - | - | - | - | - | - | 2 Screw of arc-cone gear |
| 16 | GS147-8 | * | * | - | * | - | - | * | * | - | - | - | - | - | - | - | - | 2 Screw |
| 17 | G0162-8 | * | * | - | * | - | - | * | * | - | - | - | - | - | - | - | - | 1 Front sleeve of lower shaft |
| 18 | G0216-8 | - | - | - | - | - | - | - | - | - | - | - | - | - | - | - | - | 1 Front sleeve of lower shaft |
| 18 | G0158-8 | * | * | - | * | - | - | * | * | - | - | - | - | - | - | - | - | 3 Lower shaft retainer |
| 19 | GS199-8 | * | * | - | * | - | - | * | * | - | - | - | - | - | - | - | - | 6 Retainer screw of lower shaft |
| 20 | GO161-8 | * | * | - | * | - | - | * | * | - | - | - | - | - | - | - | - | 1 Back sleeve of lower shaft |
| 20 | GO215-8 | - | - | - | - | - | - | - | - | - | - | - | - | - | - | - | - | 1 Back sleeve of lower shaft |
| 21 | GZ163-8 | * | * | - | * | - | - | * | * | - | - | - | - | - | - | - | - | 1 Lower shaft |
| 21 | GZ210-8 | - | - | - | - | - | - | - | - | - | - | - | - | - | - | - | - | 1 Lower shaft |
| 22 | GS167-8 | * | * | - | * | - | - | * | * | - | - | - | - | - | - | - | - | 6 Screw of differential gear |
| 23 | GC139-8 | * | * | - | * | - | - | * | * | - | - | - | - | - | - | - | - | 1 Differential gear |
| 24 | GC137-8 | * | * | - | * | - | - | * | * | - | - | - | - | - | - | - | - | 1 Differential gear |
| 25 | GO159-8 | * | * | - | * | - | - | * | * | - | - | - | - | - | - | - | - | 1 Lower sleeve of vertical shaft |
| 26 | GO157-8 | * | * | - | * | - | - | * | * | - | - | - | - | - | - | - | - | 1 Differential shaft sliding-cover |
| 27 | GO156-8 | * | * | - | * | - | - | * | * | - | - | - | - | - | - | - | - | 1 Lower clutch sleeve |
| 28 | GO155-8 | * | * | - | * | - | - | * | * | - | - | - | - | - | - | - | - | 1 Upper clutch sleeve |
| 29 | GO154-8 | * | * | - | * | - | - | * | * | - | - | - | - | - | - | - | - | 1 Upper sleeve of vertical shaft |
| 30 | GS198-8 | * | * | - | * | - | - | * | * | - | - | - | - | - | - | - | - | 1 Screw of upper sleeve |
| 31 | GC136-8 | * | * | - | * | - | - | * | * | - | - | - | - | - | - | - | - | 1 Arc-cone gear |
| 32 | GH168-8 | * | * | - | * | - | - | * | * | - | - | - | - | - | - | - | - | 1 Differential connecting bar |
| 33 | GZ162-8 | * | * | - | * | - | - | * | * | - | - | - | - | - | - | - | - | 1 Vertical shaft |

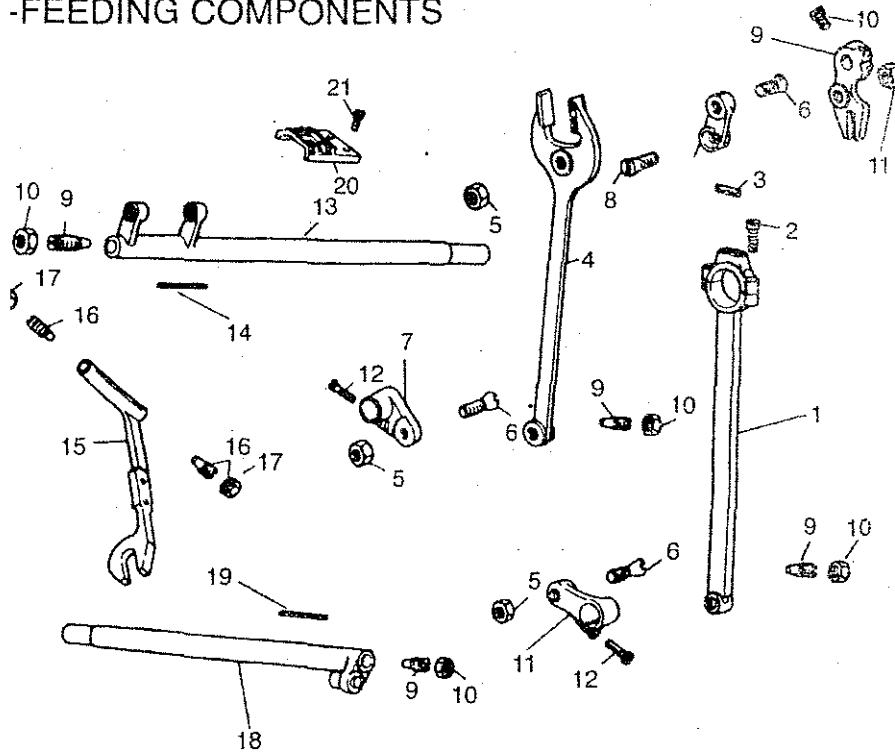
THREAD-HOOK COMPONENTS



| No. | Part No. | Description |
|-----|----------|---|
| 1 | GR278-8 | Locating plate of rotating shuttle |
| 2 | GS256-8 | Screw of locating plate |
| 3 | GN130-8 | Shuttle |
| 4 | GN131-8 | Shuttle core |
| 5 | GN135-8 | Rotating shuttle |
| 6 | GO163-8 | Front sleeve of rotating shuttle shaft |
| 7 | GS201-8 | Screw of front sleeve |
| 8 | GZ164-8 | Rotating shuttle shaft |
| 9 | GC141-8 | Screw arc-cone gear |
| 10 | GS167-8 | Arc-cone gear of rotating shuttle shaft |
| 11 | GO164-8 | Retainer of rotating shuttle shaft |
| 12 | GS202-8 | Retainer screw |
| 13 | GO165-8 | Back sleeve of rotating shuttle shaft |
| 14 | GC140-8 | Arc-cone gear of lower shaft(left) |
| 15 | GS199-8 | Screw of lower shaft |
| 16 | GO162-8 | Front sleeve of lower shaft |
| 17 | GS147-8 | Screw of arc-cone gear |
| 18 | GZ225-8 | Lower shaft |
| 19 | GO232-8 | Lower shaft retainer |
| 20 | GS199-8 | Retainer screw of lower shaft |
| 21 | GO231-8 | Back sleeve of lower shaft |
| 22 | GC151-8 | Arc-cone gear of lower shaft(right) |
| 23 | GC152-8 | Arc-cone gear of vertical shaft(lower) |
| 24 | GS199-8 | screw of differential gear |
| 25 | GO229-8 | Lower sleeve of vertical shaft |
| 26 | GZ224-8 | Vertical shaft |
| 27 | GO228-8 | Upper sleeve of vertical shaft |
| 28 | GC150-8 | Arc-cone gear of vertical shaft(upper) |

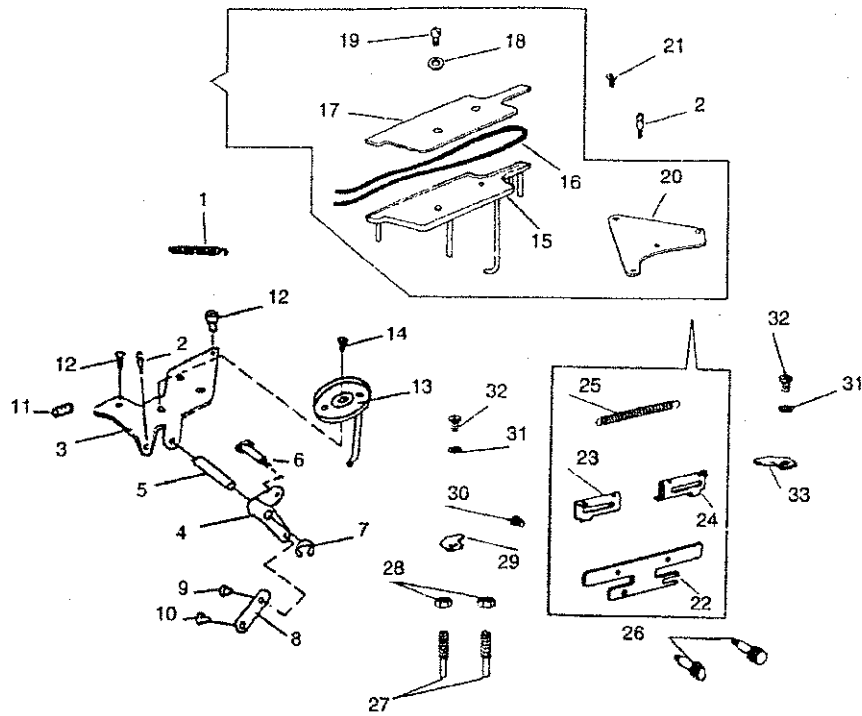
MATERIAL FEEDING COMPONENTS

-FEEDING COMPONENTS



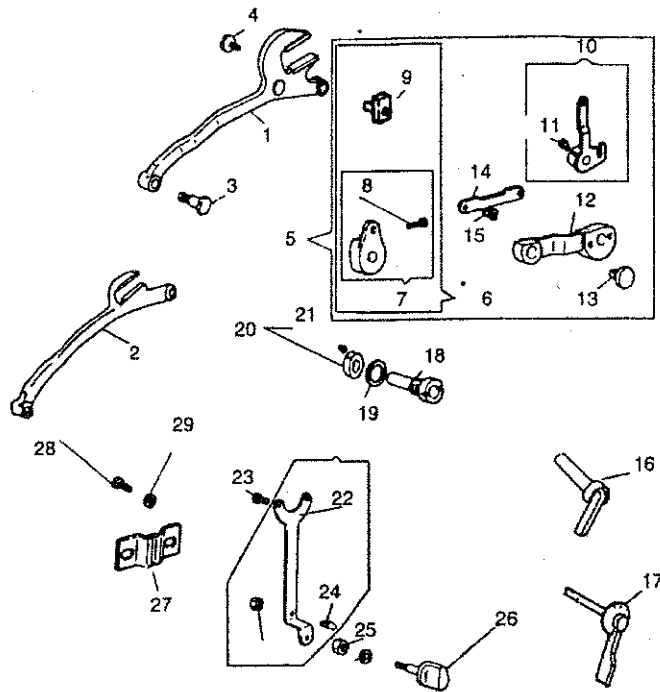
| No. | Part No. | | | | | | | | | | | Description | |
|-----|-----------|---|---|---|---|---|---|---|---|---|---|-------------|--|
| 1 | GR504/4-8 | * | * | * | * | * | * | * | * | * | * | 1 | Toothed connecting bar components |
| 2 | GS142-8 | * | * | * | * | * | * | * | * | * | * | 2 | Toothed connecting bar screw |
| 3 | GR268-8 | * | * | * | * | * | * | * | * | * | * | 1 | Oil felt |
| 4 | GR267-8 | * | * | * | * | * | * | * | * | * | * | 1 | Toothed fork |
| 5 | GC142-8 | * | * | * | * | * | * | * | * | * | * | 3 | Small cone nut |
| 6 | GS186-8 | * | * | * | * | * | * | * | * | * | * | 3 | Small cone screw |
| 7 | GH157-8 | * | * | * | * | * | * | * | * | * | * | 1 | Connecting bar of needle distance base |
| 8 | GS283-8 | * | * | * | * | * | * | * | * | * | * | 1 | Toothed fork small cone screw |
| 9 | GR336-8 | * | * | * | * | * | * | * | * | * | * | 1 | Needle distance base |
| | GR734-8 | - | - | - | - | * | * | * | * | - | - | 1 | Needle distance base |
| 10 | GS263-8 | * | * | * | * | * | * | * | * | * | * | 1 | Screw of needle distance base |
| 11 | GL142-8 | * | * | * | * | * | * | * | * | * | * | 1 | Pointed nut |
| 12 | GS185-8 | * | * | * | * | * | * | * | * | * | * | 2 | Crank screw of material-feeding tooth |
| 13 | GZ209-8 | * | * | * | * | * | * | * | * | * | * | 1 | Cloth-feeding shaft |
| | GZ152-8 | - | - | - | - | - | - | - | - | - | - | 1 | Cloth-feeding shaft |
| 14 | GR512-8 | * | * | * | * | * | * | * | * | * | * | 1 | Cloth-feeding shaft oil level |
| 15 | GR265-8 | * | * | * | * | * | * | * | * | * | * | 1 | Tooth rack |
| 16 | GS183-8 | * | * | * | * | * | * | * | * | * | * | 2 | Pointed screw of tooth rack |
| 17 | GL140-8 | * | * | * | * | * | * | * | * | * | * | 2 | Pointed nut of tooth rack |
| 18 | GZ151-8 | * | * | * | * | * | * | * | * | * | * | 1 | Toothed shaft |
| | GZ208-8 | - | - | - | - | - | * | * | * | * | * | 1 | Toothed shaft |
| 19 | | * | * | * | * | * | * | * | * | * | * | 1 | Toothed shaft oil level |
| 20 | GM142-8 | * | * | * | * | * | * | * | * | * | * | 1 | Material-feeding shaft |
| | GM160-8 | - | - | * | * | * | * | * | * | * | * | 1 | Material-feeding shaft |
| 21 | GS184-8 | * | * | * | * | * | * | * | * | * | * | 2 | Material-feeding shaft screw |

DIFFERENTIAL, LUBRICATION COMPONENTS



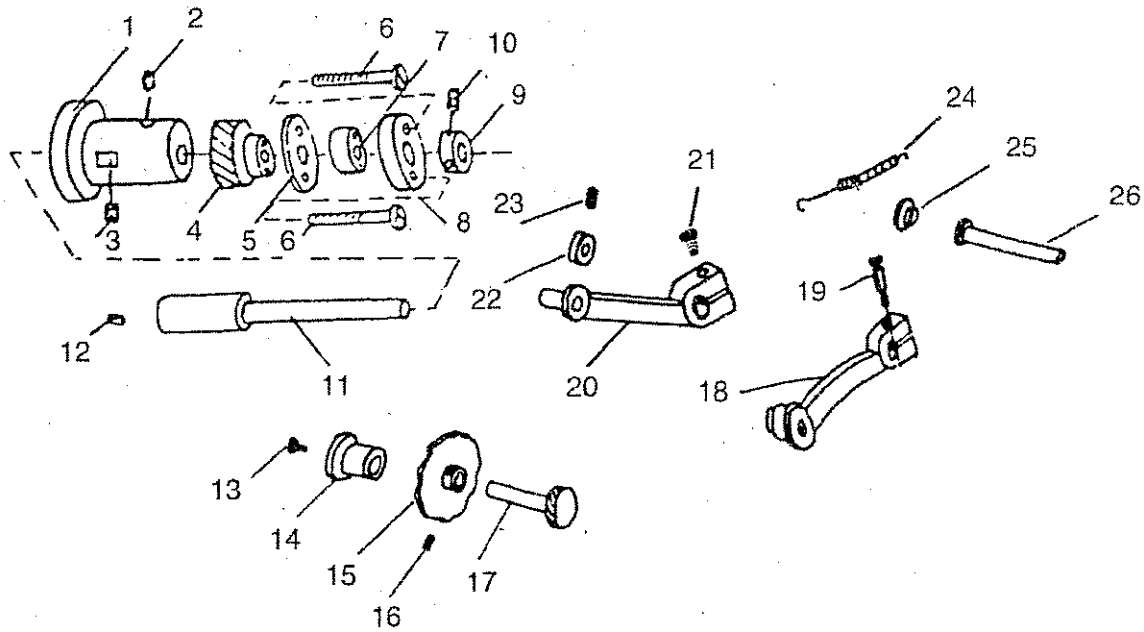
| No. | Part No. | * | * | * | * | * | * | * | * | * | * | * | * | * | * | * | * | * | Description |
|-----|-----------|---|---|---|---|---|---|---|---|---|---|---|---|---|---|---|---|---|---|
| 1 | GW141-8 | * | * | * | * | * | * | * | * | * | * | * | * | * | * | * | * | 1 | Spring for adjusting crank |
| 2 | GS212-8 | * | * | * | * | * | * | * | * | * | * | * | * | * | * | * | * | 1 | Screw of extension spring |
| 3 | GR299/2-8 | * | * | * | * | * | * | * | * | * | * | * | * | * | * | * | * | 1 | Locating rack components |
| | GR390/2-8 | * | * | * | * | * | * | * | * | * | * | * | * | * | * | * | * | 1 | Locating rack components |
| 4 | GH180/3-8 | * | * | * | * | * | * | * | * | * | * | * | * | * | * | * | * | 1 | Differential crank components |
| | GH210/3-8 | * | * | * | * | * | * | * | * | * | * | * | * | * | * | * | * | 1 | Differential crank components |
| 5 | GZ175-8 | * | * | * | * | * | * | * | * | * | * | * | * | * | * | * | * | 1 | Differential connecting shaft |
| 6 | GS219-8 | * | * | * | * | * | * | * | * | * | * | * | * | * | * | * | * | 1 | Screw of differential connecting bar |
| 7 | GO177-8 | * | * | * | * | * | * | * | * | * | * | * | * | * | * | * | * | 1 | Retainer of differential connecting shaft |
| 8 | GH179-8 | * | * | * | * | * | * | * | * | * | * | * | * | * | * | * | * | 1 | Differential connecting shaft |
| 9 | GS216-8 | * | * | * | * | * | * | * | * | * | * | * | * | * | * | * | * | 1 | Screw of differential connecting bar |
| 10 | GS217-8 | * | * | * | * | * | * | * | * | * | * | * | * | * | * | * | * | 1 | Connecting screw for sliding block |
| 11 | GS213-8 | * | * | * | * | * | * | * | * | * | * | * | * | * | * | * | * | 1 | Set screw of locating rack sleeve |
| 12 | GS256-8 | * | * | * | * | * | * | * | * | * | * | * | * | * | * | * | * | 2 | Screw of locating rack |
| 13 | GR297-8 | * | * | * | * | * | * | * | * | * | * | * | * | * | * | * | * | 1 | Oil tray |
| 14 | GS132-8 | * | * | * | * | * | * | * | * | * | * | * | * | * | * | * | * | 1 | Oil tray screw |
| 15 | GR382/6-8 | * | * | * | * | * | * | * | * | * | * | * | * | * | * | * | * | 1 | Oil tray |
| | GR474/6-8 | * | * | * | * | * | * | * | * | * | * | * | * | * | * | * | * | 1 | Oil tray |
| 16 | GR389-8 | * | * | * | * | * | * | * | * | * | * | * | * | * | * | * | * | 1 | Oil gauze |
| 17 | GR388-8 | * | * | * | * | * | * | * | * | * | * | * | * | * | * | * | * | 1 | Wheel of oil tray |
| 18 | GO217-8 | * | * | * | * | * | * | * | * | * | * | * | * | * | * | * | * | 2 | Flat washer |
| 19 | GS132-8 | * | * | * | * | * | * | * | * | * | * | * | * | * | * | * | * | 2 | Screw of oil tray |
| 20 | GR469-8 | * | * | * | * | * | * | * | * | * | * | * | * | * | * | * | * | 1 | Oil tray set base |
| 21 | GS256-8 | * | * | * | * | * | * | * | * | * | * | * | * | * | * | * | * | 1 | Screw of oil tray set base |
| 22 | GR294-8 | * | * | * | * | * | * | * | * | * | * | * | * | * | * | * | * | 1 | Locating rack for needle distance |
| 23 | GR290-8 | * | * | * | * | * | * | * | * | * | * | * | * | * | * | * | * | 1 | Locating rack for needle distance(A) |
| 24 | GR291-8 | * | * | * | * | * | * | * | * | * | * | * | * | * | * | * | * | 1 | Locating rack for needle distance(B) |
| 25 | GW142-8 | * | * | * | * | * | * | * | * | * | * | * | * | * | * | * | * | 1 | Extension spring of locating rack |
| 26 | GS253-8 | * | * | * | * | * | * | * | * | * | * | * | * | * | * | * | * | 2 | Locating screw |
| | GS383-8 | * | * | * | * | * | * | * | * | * | * | * | * | * | * | * | * | 2 | Locating screw |
| 27 | GS215-8 | * | * | * | * | * | * | * | * | * | * | * | * | * | * | * | * | 2 | Adjusting screw of locating block |
| 28 | GL153-8 | * | * | * | * | * | * | * | * | * | * | * | * | * | * | * | * | 2 | Adjusting nut of locating block |
| 29 | GR289-8 | * | * | * | * | * | * | * | * | * | * | * | * | * | * | * | * | 1 | Locating block for needle block |
| 30 | GS213-8 | * | * | * | * | * | * | * | * | * | * | * | * | * | * | * | * | 2 | Screw of locating block |
| 31 | GO174-8 | * | * | * | * | * | * | * | * | * | * | * | * | * | * | * | * | 2 | Washer of locating block |
| 32 | GS256-8 | * | * | * | * | * | * | * | * | * | * | * | * | * | * | * | * | 2 | Screw of locating block |
| 33 | GR295-8 | * | * | * | * | * | * | * | * | * | * | * | * | * | * | * | * | 1 | Right locating block for needle distance |
| | GR289-8 | * | * | * | * | * | * | * | * | * | * | * | * | * | * | * | * | 1 | Right locating block for needle distance |
| | GR366-8 | * | * | * | * | * | * | * | * | * | * | * | * | * | * | * | * | 1 | Right locating block for needle distance |

COMPONENTS OF SWAYING NEEDLE



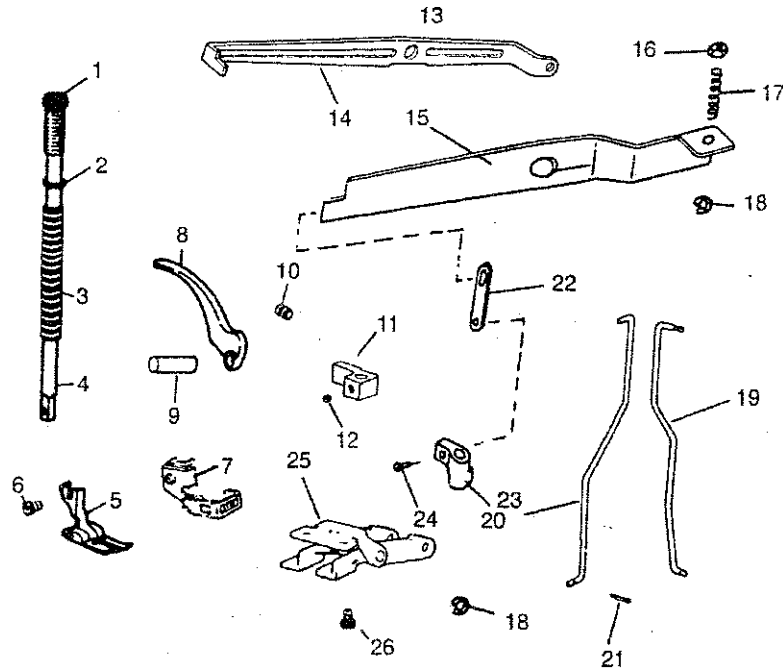
| No. | Part No. | | | | | | | | | | | | | Description | |
|-----|------------|---|---|---|---|---|---|---|---|---|---|---|---|-------------|---|
| 1 | GR288-8 | * | * | * | - | * | * | - | - | - | - | - | - | 1 | Fork of horizontal needle |
| | GR381-8 | - | - | - | * | - | - | * | - | - | - | - | - | 1 | Fork of horizontal needle |
| | GR402-8 | - | - | - | - | - | - | - | * | - | - | - | - | 1 | Fork of horizontal needle |
| 2 | GR457-8 | - | - | - | - | - | - | - | - | * | * | * | * | 1 | Fork of horizontal needle |
| 3 | GX155-8 | * | * | * | * | * | * | * | * | * | * | * | * | 1 | Eccentric pin of needle staff |
| 4 | GS291-8 | - | - | * | - | * | * | - | - | * | * | * | * | 1 | Screw of sliding block |
| | GS217-8 | * | * | - | * | - | - | * | - | - | - | - | - | 1 | Screw of sliding block |
| 5 | GR521/12-8 | * | * | * | * | * | * | * | * | * | * | * | * | 1 | Locating block of swaying needle compone |
| 6 | GR519/3-8 | * | * | * | * | * | * | * | * | * | * | * | * | 1 | Sliding block of swaying needle component |
| 7 | GR298-8 | * | * | * | - | * | * | - | * | * | * | * | * | 1 | Guide base of swaying needle |
| | GR393-8 | - | - | - | * | - | - | * | - | - | - | - | - | 1 | Guide base of swaying needle |
| 8 | GS185-8 | * | * | * | * | * | * | * | * | * | * | * | * | 1 | Screw of guide base of swaying needle |
| 9 | GU140-8 | * | * | * | * | * | * | * | * | * | * | * | * | 1 | Sliding block of swaying needle |
| 10 | GR292/2-8 | * | * | * | * | * | * | * | - | * | * | * | * | 1 | Adjusting crank component |
| | GR407/2-8 | - | - | - | - | - | - | - | * | - | - | - | - | 1 | Adjusting crank component |
| 11 | GS214-8 | * | * | * | * | * | * | * | * | * | * | * | * | 1 | Screw of adjusting crank sleeve |
| 12 | GR296-8 | * | * | * | * | * | * | * | * | * | * | * | * | 1 | Locating block of swaying needle |
| | GR459-8 | - | - | - | - | - | - | - | * | * | * | * | * | 1 | Locating block of swaying needle |
| 13 | GX154-8 | * | * | * | * | * | * | * | * | * | * | * | * | 1 | Connecting pin of guide |
| 14 | GH178-8 | * | * | * | * | * | * | * | * | * | * | * | * | 1 | Adjustable connecting bar |
| 15 | GS216-8 | * | * | * | * | * | * | * | * | * | * | * | * | 3 | Connecting screw of differential connecting |
| 16 | GR392/2-8 | * | * | * | * | - | - | - | * | * | * | * | * | 1 | Spanner of swaying needle component |
| 17 | GR731/2-8 | - | - | - | - | * | * | - | - | - | - | - | - | 1 | Spanner of swaying needle component |
| 18 | GO179-8 | - | * | * | * | - | - | * | * | * | * | * | * | 1 | Spanner sleeve |
| | GO286-8 | - | - | - | - | * | * | - | - | - | - | - | - | 1 | Spanner sleeve |
| 19 | GO211-8 | * | * | * | * | * | * | * | * | * | * | * | * | 1 | Washer of spanner sleeve |
| 20 | GO178-8 | * | * | * | * | * | * | * | * | * | * | * | * | 1 | Locating retainer of spanner |
| 21 | GR218-8 | * | * | * | * | * | * | * | * | * | * | * | * | 2 | Screw of locating retainer of spanner |
| 22 | GR394-8 | - | - | * | * | * | * | - | - | - | - | - | - | 1 | Adjusting rack |
| 23 | GS223-8 | - | - | * | * | * | * | - | - | - | - | - | - | 2 | Screw |
| 24 | GS281-8 | - | - | * | * | * | * | - | - | - | - | - | - | 1 | Locating pin of adjusting rack |
| 25 | GL163-8 | - | - | * | * | * | * | - | - | - | - | - | - | 2 | Locating pin nut of adjusting rack |
| 26 | GR411-8 | - | - | * | * | * | * | - | - | - | - | - | - | 1 | Handle component |
| | GR729-8 | - | - | - | - | * | * | - | - | - | - | - | - | 1 | Handle component |
| 27 | GR395-8 | - | - | - | - | * | * | - | - | - | - | - | - | 1 | Locating rack |
| | GR468-8 | - | - | * | * | * | * | - | - | - | - | - | - | 1 | Locating rack |
| 28 | GS273-8 | - | - | * | * | * | * | - | - | - | - | - | - | 2 | Screw of locating rack |
| 29 | GO217-8 | - | - | * | * | * | * | - | - | - | - | - | - | 2 | Washer of locating rack |

COMPONENTS OF SWAYING NEEDLE



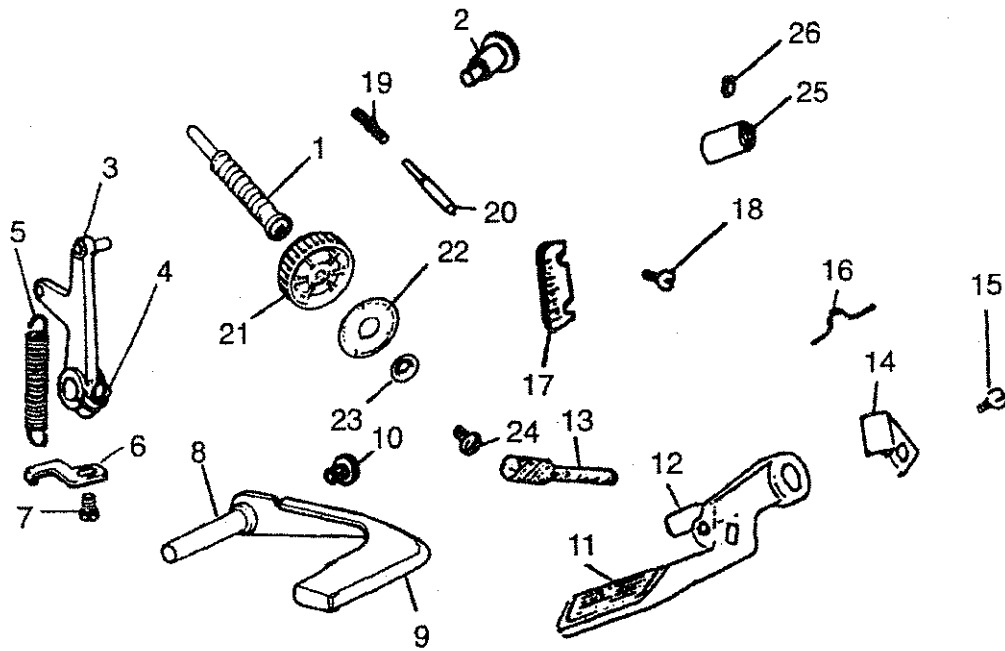
| No. | Part No. | | | | | | | | | | | | | | | | | | | | Description | |
|-----|------------|---|---|---|---|---|---|---|---|---|---|---|---|---|---|---|---|---|---|---|---|------------------------------------|
| 1 | GO180-8 | * | * | - | - | - | - | - | - | - | - | - | - | - | - | - | - | - | - | 1 | Sleeve of swaying needle | |
| 2 | GS199-8 | * | * | - | - | - | - | - | - | - | - | - | - | - | - | - | - | - | - | 1 | Fastening screw of swaying needle shaft | |
| 3 | GS147-8 | * | * | - | - | - | - | - | - | - | - | - | - | - | - | - | - | - | - | 1 | Screw of sleeve of swaying needle | |
| 4 | GC146-8 | * | * | * | * | * | * | * | * | * | * | * | * | * | * | * | * | * | * | * | 1 | Gear of swaying needle |
| 5 | GO181-8 | * | * | * | * | * | * | * | * | * | * | * | * | * | * | * | * | * | * | * | 1 | Eccentric retainer |
| | GO212-8 | * | * | * | * | * | * | * | * | * | * | * | * | * | * | * | * | * | * | * | 1 | Eccentric retainer |
| 6 | GS221-8 | * | * | * | * | * | * | * | * | * | * | * | * | * | * | * | * | * | * | * | 2 | Connecting screw of eccentric cam |
| 7 | GT145-8 | * | * | - | - | - | - | - | - | - | - | - | - | - | - | - | - | - | - | 1 | Eccentric cam | |
| | GT151-8 | * | * | - | - | - | - | - | - | - | - | - | - | - | - | - | - | - | - | 1 | Eccentric cam | |
| 8 | GO182-8 | * | * | - | - | - | - | - | - | - | - | - | - | - | - | - | - | - | - | 1 | Back retainer of eccentric cam | |
| | GO213-8 | * | * | * | * | * | * | * | * | * | * | * | * | * | * | * | * | * | * | * | 1 | Back retainer of eccentric cam |
| 9 | GO183-8 | * | * | * | * | * | * | * | * | * | * | * | * | * | * | * | * | * | * | * | 1 | Retainer of swaying needle shaft |
| 10 | GS223-8 | * | * | * | * | * | * | * | * | * | * | * | * | * | * | * | * | * | * | * | 2 | Screw of retainer of swaying shaft |
| 11 | GZ177-8 | * | * | - | - | - | - | - | - | - | - | - | - | - | - | - | - | - | - | 1 | Swaying needle shaft | |
| | GZ203-8 | * | * | - | - | - | - | - | - | - | - | - | - | - | - | - | - | - | - | 1 | Swaying needle shaft | |
| | GZ219-8 | * | * | - | - | - | - | - | - | - | - | - | - | - | - | - | - | - | - | 1 | Swaying needle shaft | |
| 12 | GS147-8 | * | * | * | * | * | * | * | * | * | * | * | * | * | * | * | * | * | * | * | 1 | Screw of swaying needle shaft |
| 13 | GS166-8 | - | - | - | - | - | - | - | - | - | - | - | - | - | - | - | - | - | - | 1 | Left-hand screw | |
| 14 | GO226-8 | - | - | - | - | - | - | - | - | - | - | - | - | - | - | - | - | - | - | 1 | Leaning gear sleeve | |
| 15 | GR461/2-8 | - | - | - | - | - | - | - | - | - | - | - | - | - | - | - | - | - | - | 1 | Cam component | |
| | GR1314/2-8 | - | - | - | - | - | - | - | - | - | - | - | - | - | - | - | - | - | - | 1 | Cam component | |
| 16 | GS202-8 | - | - | - | - | - | - | - | - | - | - | - | - | - | - | - | - | - | - | 1 | Sleeve screw of cam component | |
| 17 | GC149-8 | - | - | - | - | - | - | - | - | - | - | - | - | - | - | - | - | - | - | 1 | Leaning gear | |
| | GC175-8 | - | - | - | - | - | - | - | - | - | - | - | - | - | - | - | - | - | - | 1 | Leaning gear | |
| 18 | GR458/3-8 | - | - | - | - | - | - | - | - | - | - | - | - | - | - | - | - | - | - | 1 | Regulator fork drive lever component | |
| 19 | GS285-8 | - | - | - | - | - | - | - | - | - | - | - | - | - | - | - | - | - | - | 1 | Screw of drive lever | |
| 20 | GR460/3-8 | - | - | - | - | - | - | - | - | - | - | - | - | - | - | - | - | - | - | 1 | Following lever component | |
| 21 | GS020 | - | - | - | - | - | - | - | - | - | - | - | - | - | - | - | - | - | - | 1 | Screw of following lever | |
| 22 | GO164-8 | - | - | - | - | - | - | - | - | - | - | - | - | - | - | - | - | - | - | 1 | Washer of following lever | |
| 23 | GS202-8 | - | - | - | - | - | - | - | - | - | - | - | - | - | - | - | - | - | - | 1 | Washer screw | |
| 24 | GW178-8 | - | - | - | - | - | - | - | - | - | - | - | - | - | - | - | - | - | - | 1 | Spring | |
| 25 | GR243 | - | - | - | - | - | - | - | - | - | - | - | - | - | - | - | - | - | - | 1 | Rubber cap | |
| 26 | GZ222-8 | - | - | - | - | - | - | - | - | - | - | - | - | - | - | - | - | - | - | 1 | Following shaft | |

PRESSER FOOT COMPONENTS



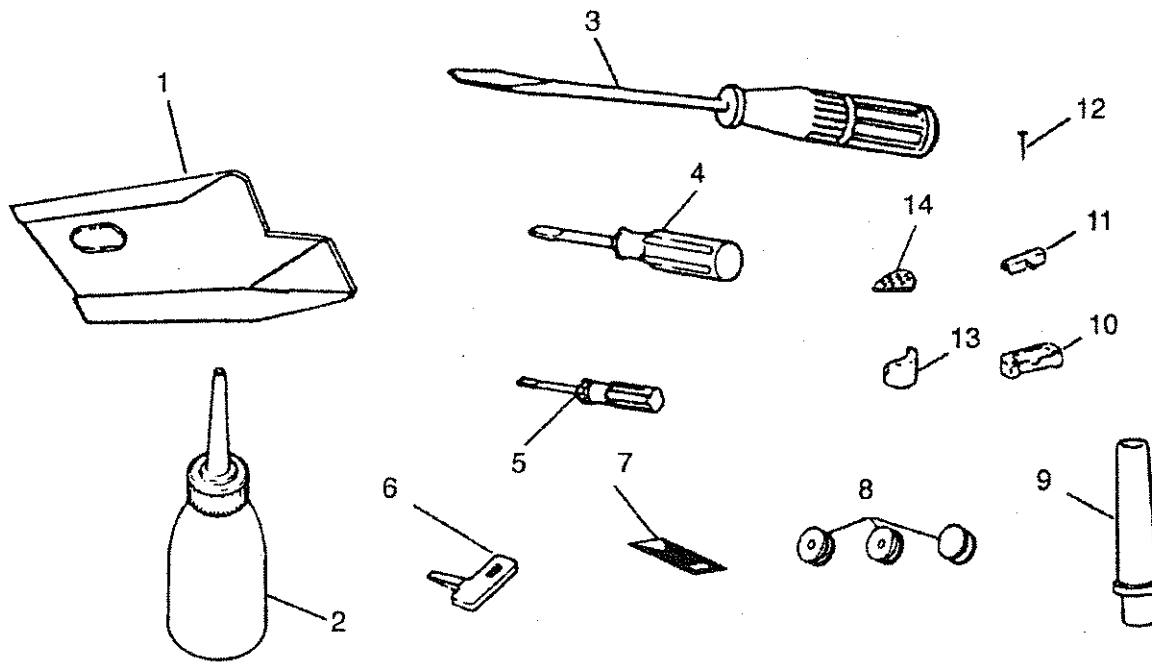
| No. | Part No. | | | | | | | | | | | | | | | | | | | Description | |
|-----|------------|---|---|---|---|---|---|---|---|---|---|---|---|---|---|---|---|---|---|-------------|--------------------------------------|
| 1 | GS234-8 | * | * | * | * | - | - | * | * | * | * | * | * | * | * | * | * | * | * | 1 | Screw for presser-adjusting |
| | GS384-8 | - | - | - | - | * | * | * | * | - | - | - | - | - | - | - | - | - | - | 1 | Screw for presser-adjusting |
| 2 | GC178-8 | - | - | - | - | * | * | * | * | - | - | - | - | - | - | - | - | - | - | 1 | Screw for presser-adjusting |
| 3 | GW153-8 | * | * | * | * | * | * | * | * | * | * | * | * | * | * | * | * | * | * | 1 | Presser bar spring |
| 4 | GZ187-8 | * | * | * | * | * | * | * | * | * | * | * | * | * | * | * | * | * | * | 1 | Presser bar |
| 5 | GR465/4-8 | - | - | * | * | * | * | * | * | * | * | * | * | * | * | * | * | * | * | 1 | Presser foot component |
| | GR327/4-8 | * | * | - | * | - | - | * | * | - | - | - | - | - | - | - | - | - | - | 1 | Presser foot component |
| 6 | GS231-8 | * | * | * | * | * | * | * | * | * | * | * | * | * | * | * | * | * | * | 1 | Screw of presser foot |
| 7 | GR1000-8 | - | - | * | * | * | * | * | * | * | * | * | * | * | * | * | * | * | * | 1 | Finger guard |
| | GR1001-8 | - | - | - | - | - | - | - | - | * | * | * | * | * | * | * | * | * | * | 1 | Finger guard |
| 8 | GR322-8 | * | * | * | * | - | - | - | - | * | * | * | * | * | * | * | * | * | * | 1 | Spanner |
| | GR733-8 | - | - | - | - | * | * | * | * | * | * | * | * | * | * | * | * | * | * | 1 | Spanner |
| 9 | GX183-8 | - | - | - | - | * | * | * | * | * | * | * | * | * | * | * | * | * | * | 1 | Spanner pin |
| | GX166-8 | * | * | * | * | * | * | * | * | * | * | * | * | * | * | * | * | * | * | 1 | Spanner pin |
| 10 | GS232-8 | * | * | * | * | * | * | * | * | * | * | * | * | * | * | * | * | * | * | 1 | Spanner pin screw |
| 11 | GR324-8 | * | * | - | - | - | - | - | - | - | - | - | - | - | - | - | - | - | - | 1 | Presser bar bracket |
| | GR398-8 | - | - | * | * | * | * | * | * | * | * | * | * | * | * | * | * | * | * | 1 | Presser bar bracket |
| 12 | GS232-8 | * | * | * | * | * | * | * | * | * | * | * | * | * | * | * | * | * | * | 1 | Screw of bracket |
| 13 | GS235-8 | * | * | * | * | * | * | * | * | * | * | * | * | * | * | * | * | * | * | 1 | Screw of presser foot lever |
| 14 | GZ204-8 | - | - | * | * | * | * | * | * | * | * | * | * | * | * | * | * | * | * | 1 | Presser foot lever |
| | GZ217-8 | - | - | - | - | - | - | - | - | * | * | * | * | * | * | * | * | * | * | 1 | Presser foot lever |
| 15 | GZ188-8 | * | * | * | * | - | - | - | - | - | - | - | - | - | - | - | - | - | - | 1 | Presser foot lever |
| 16 | GL154-8 | * | * | * | * | - | - | - | - | - | - | - | - | - | - | - | - | - | - | 1 | Presser bar nut |
| 17 | GW154-8 | * | * | * | * | - | - | - | - | - | - | - | - | - | - | - | - | - | - | 1 | Presser bar spring |
| 18 | GO193-8 | * | * | - | - | - | - | - | - | - | - | - | - | - | - | - | - | - | - | 2 | Presser bar washer |
| 19 | GZ190-8 | * | * | - | - | - | - | - | - | - | - | - | - | - | - | - | - | - | - | 1 | Rod of horizontal needle |
| | GZ206-8 | - | - | * | * | * | * | * | * | * | * | * | * | * | * | * | * | * | * | 1 | Rod of horizontal needle |
| 20 | GZ189-8 | * | * | - | - | - | - | - | - | - | - | - | - | - | - | - | - | - | - | 1 | Rod of presser foot |
| | GZ205-8 | - | - | * | * | * | * | * | * | * | * | * | * | * | * | * | * | * | * | 1 | Rod of presser foot |
| 21 | GX184-8 | - | - | * | * | * | * | * | * | * | * | * | * | * | * | * | * | * | * | 3 | Open-pin |
| 22 | GH191-8 | * | * | - | - | - | - | - | - | - | - | - | - | - | - | - | - | - | - | 1 | Connecting bar |
| 23 | GR323-8 | * | * | - | - | - | - | - | - | - | - | - | - | - | - | - | - | - | - | 1 | Locating base of plate |
| 24 | GS233-8 | * | * | - | - | - | - | - | - | - | - | - | - | - | - | - | - | - | - | 1 | Screw of connecting bar |
| 25 | GR328/10-8 | * | * | * | * | * | * | * | * | * | * | * | * | * | * | * | * | * | * | 1 | Knee-control locating base component |
| 26 | GS236-8 | * | * | * | * | * | * | * | * | * | * | * | * | * | * | * | * | * | * | 1 | Knee-control lever base screw |

COMPONENTS OF NEEDLE DISTANCE, REVERSE STITCH



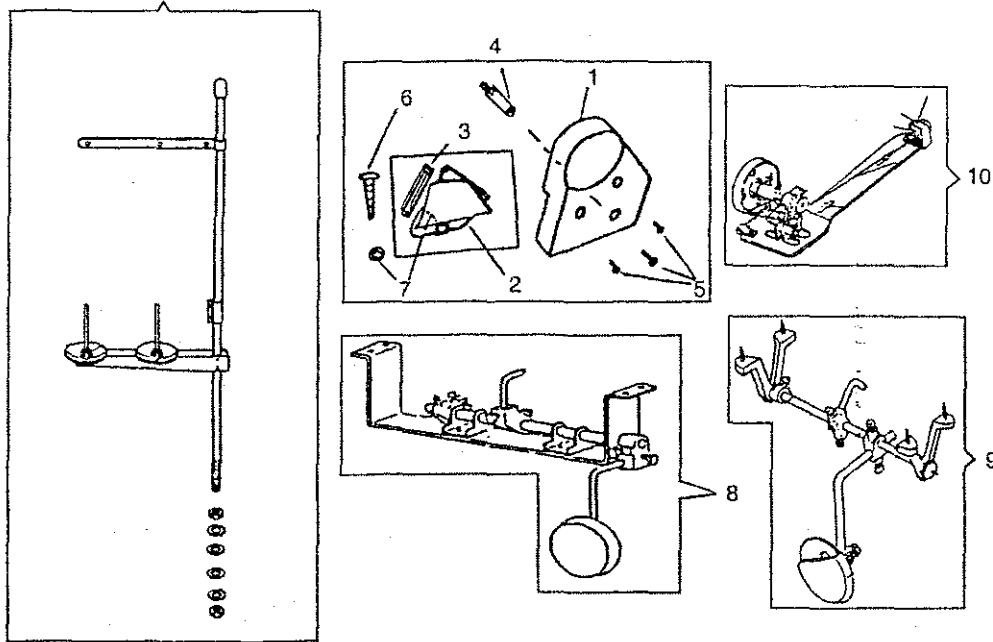
| | | | | | | | | | | | | | | | | |
|----|-----------|---|---|---|---|---|---|---|---|---|---|---|---|---|---|---|
| 1 | GS248-8 | * | * | * | * | - | - | * | * | * | * | * | * | * | 1 | Adjusting screw for needle distance |
| | GS413-8 | - | - | - | - | * | * | * | * | * | * | * | * | * | 1 | Adjusting screw for needle distance |
| 2 | GX177-8 | * | * | * | * | * | * | * | * | * | * | * | * | * | 1 | Needle distance base pin |
| 3 | GR342/2-8 | * | * | * | * | * | * | * | * | * | * | * | * | * | 1 | Crank component |
| 4 | GS142-8 | * | * | * | * | * | * | * | * | * | * | * | * | * | 1 | Crank screw |
| 5 | GW166-8 | * | * | * | * | * | * | * | * | * | * | * | * | * | 1 | Restoring extension spring of reversal stitch |
| 6 | GR339-8 | * | * | * | * | * | * | * | * | * | * | * | * | * | 1 | Spring hook |
| 7 | GS256-8 | * | * | * | * | * | * | * | * | * | * | * | * | * | 1 | Screw of spring hook |
| 8 | GX178-8 | * | * | * | * | - | - | * | * | * | * | * | * | * | 1 | Reversal stitch spanner shaft |
| 9 | GR338-8 | * | * | * | * | - | - | * | * | * | * | * | * | * | 1 | Spanner of reversal stitch |
| 10 | GS247-8 | * | * | * | * | - | - | * | * | * | * | * | * | * | 1 | Screw of spanner |
| 11 | GR735-8 | - | - | - | - | * | * | * | * | * | * | * | * | * | 1 | Spanner of reversal stitch |
| 12 | GZ249-8 | - | - | - | - | * | * | * | * | - | - | - | - | - | 1 | Reversal stitch spanner shaft |
| 13 | GS385-8 | - | - | - | - | * | * | * | * | - | - | - | - | - | 1 | Regulating screw of reversal stitch |
| 14 | GR736-8 | - | - | - | - | * | * | * | * | - | - | - | - | - | 1 | Regulating plate of reversal stitch |
| 15 | GS386-8 | - | - | - | - | * | * | * | * | - | - | - | - | - | 1 | Screw of regulating plate |
| 16 | GW200-8 | - | - | - | - | * | * | * | * | - | - | - | - | - | 1 | Regulating screw clamping spring |
| 17 | GR737-8 | - | - | - | - | * | * | * | * | - | - | - | - | - | 1 | Feed reverse regulating indicating-dial |
| 18 | GS42 | - | - | - | - | * | * | * | * | - | - | - | - | - | 2 | Screw of indicating-dial |
| 19 | GW167-8 | * | * | * | * | * | * | * | * | * | * | * | * | * | 1 | Feed regulating stud lock pin spring |
| 20 | GX179-8 | * | * | * | * | * | * | * | * | * | * | * | * | * | 1 | Feed regulating stud lock pin |
| 21 | GR399-8 | * | * | * | * | - | - | * | * | * | * | * | * | * | 1 | Feed regulating dial |
| | GR738-8 | - | - | - | - | * | * | * | * | - | - | - | - | - | 1 | Feed regulating dial |
| 22 | GR400-8 | * | * | * | * | - | - | * | * | * | * | * | * | * | 1 | Feed regulating indicating-dial |
| 23 | GO214-8 | * | * | * | * | - | - | * | * | * | * | * | * | * | 1 | Indicating dial washer |
| | GO380-8 | - | - | - | - | * | * | * | * | - | - | - | - | - | 1 | Feed regulating dial stud washer |
| 24 | GS249-8 | * | * | * | * | - | - | * | * | * | * | * | * | * | 1 | Feed regulating dial stud |
| | GS387-8 | - | - | - | - | * | * | * | * | - | - | - | - | - | 1 | Feed regulating dial stud |
| 25 | GO204-8 | * | * | * | * | - | - | * | * | - | - | - | - | - | 1 | Toothed nut |
| 26 | GS201-8 | * | * | - | - | - | - | - | - | - | - | - | - | - | 1 | Screw of toothed nut |

ACCESSORIES



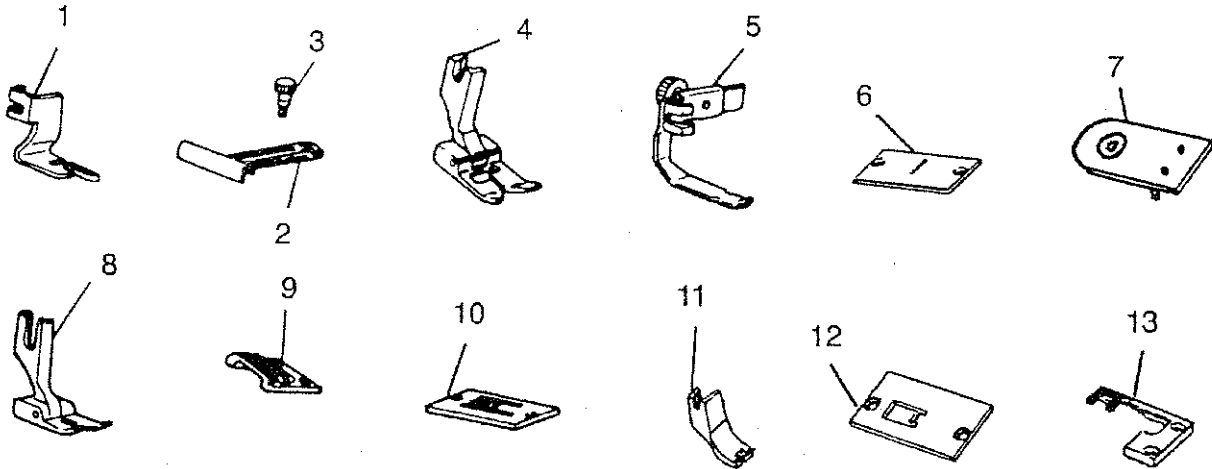
| No. | Part No. | | | | | | | | | | | | | | | | | | | Description |
|-----|-----------|---|---|---|---|---|---|---|---|---|---|---|---|---|---|---|---|---|----|-----------------------------------|
| 1 | GR351-8 | * | * | - | - | - | - | - | - | - | - | - | - | - | - | - | - | - | 1 | Oil reservoir |
| | GR413-8 | - | - | * | * | * | * | * | * | * | * | * | * | * | * | * | * | * | 1 | Oil reservoir |
| | GR404-8 | - | - | - | - | - | - | - | - | - | - | - | - | - | - | - | - | - | 1 | Oil reservoir |
| 2 | GF117-8 | * | * | * | * | * | * | * | * | * | * | * | * | * | * | * | * | * | 1 | Oiler |
| 3 | GF114-8 | * | * | * | * | * | * | * | * | * | * | * | * | * | * | * | * | * | 1 | Screwdriver(L) |
| 4 | GF115-8 | * | * | * | * | * | * | * | * | * | * | * | * | * | * | * | * | * | 1 | Screwdriver(M) |
| 5 | GF116-8 | * | * | * | * | * | * | * | * | * | * | * | * | * | * | * | * | * | 1 | Screwdriver(S) |
| 6 | GR788-8 | - | - | - | - | * | * | * | * | - | - | - | - | - | - | - | - | - | 1 | T-type open knife |
| 7 | GV130-8 | * | * | * | * | * | * | * | * | * | * | * | * | * | * | * | * | * | 1包 | Needle |
| 8 | GN132-8 | * | * | * | * | * | * | * | * | * | * | * | * | * | * | * | * | * | 3 | Bobbin |
| 9 | GBR211-8 | * | * | * | * | * | * | * | * | * | * | * | * | * | * | * | * | * | 1 | Machine head pole |
| 10 | GR1593 | * | * | * | * | * | * | * | * | * | * | * | * | * | * | * | * | * | 1 | Machine head hinge cushion rubber |
| 11 | GR696/2-8 | * | * | * | * | * | * | * | * | * | * | * | * | * | * | * | * | * | 1 | Machine head hinge complete |
| 12 | GBX141-8 | * | * | * | * | * | * | * | * | * | * | * | * | * | * | * | * | * | 8 | Oil reservoir nail |
| 13 | GBR204-8 | * | * | * | * | * | * | * | * | * | * | * | * | * | * | * | * | * | 2 | Machine head cushion |
| 14 | GBR205-8 | * | * | * | * | * | * | * | * | * | * | * | * | * | * | * | * | * | 2 | Machine head cushion |

BELT COVER, THREAD STAND, BOBBIN WINDER, KNEE LIFTER ASSEMBLY



| No. | Part No. | | | | | | | | | | | | | | | | | | | Description |
|-----|-------------|---|---|---|---|---|---|---|---|---|---|---|---|---|---|--|--|---|--------------------------|---------------------------|
| 1 | GR526-8 | - | - | * | * | * | * | * | * | * | * | * | * | * | * | | | | 1 | Hand wheel cover |
| 2 | GK155-8 | - | - | * | * | * | * | * | * | * | * | * | * | * | * | | | | 1 | Hand wheel back cover |
| 3 | GK156-8 | - | - | * | * | * | * | * | * | * | * | * | * | * | * | | | | 1 | Hand wheel back cover cap |
| 4 | GS654-8 | - | - | * | * | * | * | * | * | * | * | * | * | * | * | | | | 1 | Back cover pole |
| 5 | GS360-8 | - | - | * | * | * | * | * | * | * | * | * | * | * | * | | | | 3 | Pole screw |
| 6 | GBS204-8 | - | - | * | * | * | * | * | * | * | * | * | * | * | * | | | | 2 | Back cover wood screw |
| 7 | G8R210-8 | - | - | * | * | * | * | * | * | * | * | * | * | * | * | | | | 2 | Wood screw washer |
| 8 | GR1315/18-8 | - | - | - | - | * | * | * | * | - | - | - | - | - | | | | 1 | Knee lifter complete | |
| 9 | GR1110/18-8 | * | * | * | * | - | - | - | - | * | * | * | * | * | | | | 1 | Knee lifter complete | |
| 10 | GR759/25-8 | * | * | - | - | - | - | - | - | - | - | - | - | - | | | | 1 | Thread-winding component | |
| 11 | GR760/25-8 | * | * | * | * | * | * | * | * | * | * | * | * | * | | | | 1 | Thread stand | |

OPTIONAL PARTS



| No. | Part No. | | | | | | | | | | | | | | | | | | | | Description |
|-----|-----------|---|---|---|---|---|---|---|---|---|---|---|---|---|---|---|---|---|---|---|-------------------------------|
| 1 | FM108-8 | - | - | * | * | * | * | * | * | * | - | - | - | - | - | - | - | - | - | 1 | Hemmer foot |
| 2 | FM105-8 | - | - | * | * | * | * | * | * | * | - | - | - | - | - | - | - | - | - | 1 | Hemmer edge guide |
| 3 | GS655-8 | - | - | * | * | * | * | * | * | * | - | - | - | - | - | - | - | - | - | 1 | Hwm edge guide screw |
| 4 | GM172-8 | - | - | - | - | * | * | * | * | * | - | - | - | - | - | - | - | - | - | 1 | Buttonhole foot |
| 5 | FM109/3-8 | - | - | * | * | * | * | * | * | * | - | - | - | - | - | - | - | - | - | 1 | Zipper foot complete |
| 6 | GM134-8 | - | - | * | * | - | - | - | * | * | - | - | - | - | - | - | - | - | - | 1 | Emboidery plate |
| 7 | GM134/4-8 | - | - | - | - | * | * | * | * | * | - | - | - | - | - | - | - | - | - | 1 | Emboidery plate |
| 8 | FM107/4-8 | - | - | * | * | * | * | * | * | * | - | - | - | - | - | - | - | - | - | 1 | Straight stitch foot complete |
| 9 | FM106-8 | - | - | * | * | * | * | * | * | * | - | - | - | - | - | - | - | - | - | 1 | Straight stitch feed dog |
| 10 | FM104-8 | - | - | * | * | * | * | * | * | * | - | - | - | - | - | - | - | - | - | 1 | Straight stitch throat plate |
| 11 | FM103-8 | - | - | * | * | * | * | * | * | * | - | - | - | - | - | - | - | - | - | 1 | Hem stem presser foot |
| 12 | FM100-8 | - | - | * | * | * | * | * | * | * | - | - | - | - | - | - | - | - | - | 1 | Hem stem needle plate |
| 13 | FM101-8 | - | - | * | * | * | * | * | * | * | - | - | - | - | - | - | - | - | - | 1 | Hem stem feed dog |

Consolidated Sewing Machine Corp.
Website: www.consew.com

MAIN office

131 W. 25th Street
New York, NY 10001
Tel: 212-741-7788
Fax: 212-741-7787
e-mail: consew@att.net

Miami, FL

4013 N.W. 79th Avenue
Miami, FL 33166
Tel: 305-471-0200
Fax: 305-471-0243
e-mail: miamisales@consew.com

Los Angeles, CA

2320 South Hill Street
Los Angeles, CA 90007
Tel: 213-745-8844
Fax: 213-745-8855
e-mail: lasales@consew.com